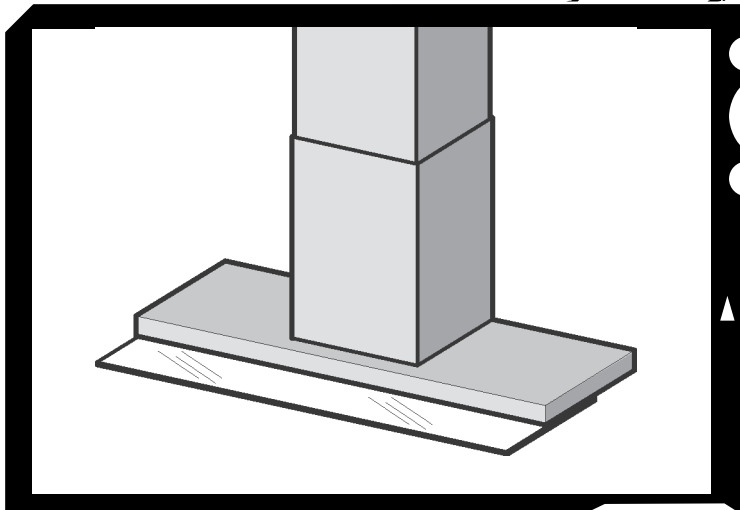


BROAN® *Elite*



Model E55000

ENGLISH.....	2
FRANÇAIS.....	15
ESPAÑOL.....	28

Broan-NuTone LLC. 926 West State Street, Hartford, WI 53027
NuTone Inc., 4820 Red Bank Road, Cincinnati, OH 45227
Broan-NuTone Canada Inc. 1140 Tristar Drive, Mississauga, Ontario L5T 1H9

99043937A

READ AND SAVE THESE INSTRUCTIONS

 **INTENDED FOR DOMESTIC COOKING ONLY** 

WARNING

TO REDUCE THE RISK OF FIRE, ELECTRIC SHOCK, OR INJURY TO PERSONS, OBSERVE THE FOLLOWING:

1. Use this unit only in the manner intended by the manufacturer. If you have questions, contact the manufacturer at the address or telephone number listed in the warranty.
2. Before servicing or cleaning unit, switch power off at service panel and lock service panel to prevent power from being switched on accidentally. When the service disconnecting means cannot be locked, securely fasten a prominent warning device, such as a tag, to the service panel.
3. Installation work and electrical wiring must be done by a qualified person(s) in accordance with all applicable codes and standards, including fire-rated construction codes and standards.
4. Sufficient air is needed for proper combustion and exhausting of gases through the flue (chimney) of fuel burning equipment to prevent backdrafting. Follow the heating equipment manufacturer's guidelines and safety standards such as those published by the National Fire Protection Association (NFPA), and the American Society for Heating, Refrigeration and Air Conditioning Engineers (ASHRAE), and the local code authorities.
5. When cutting or drilling into wall or ceiling, do not damage electrical wiring and other hidden utilities.
6. Ducted fans must always be vented to the outdoors.
7. Do not use this unit with any separate solid-state speed control device.
8. To reduce the risk of fire, use only metal ductwork.
9. This unit must be grounded.

TO REDUCE THE RISK OF A RANGE TOP GREASE FIRE:

- A. Never leave surface units unattended at high settings. Boilovers cause smoking and greasy spillovers that may ignite. Heat oils slowly on low or medium settings.
- B. Always turn hood ON when cooking at high heat or when flambeing food (i.e. Crepes Suzette, Cherries Jubilee, Peppercorn Beef Flambe').
- C. Clean ventilating fans frequently. Grease should not be allowed to accumulate on fan or filter.
- D. Use proper pan size. Always use cookware appropriate for the size of the surface element.

WARNING

TO REDUCE THE RISK OF INJURY TO PERSONS IN THE EVENT OF A RANGE TOP GREASE FIRE, OBSERVE THE FOLLOWING:*

1. **SMOTHER FLAMES** with a close-fitting lid, cookie sheet, or metal tray, then turn off the burner. **BE CAREFUL TO PREVENT BURNS.** If the flames do not go out immediately, **EVACUATE AND CALL THE FIRE DEPARTMENT.**
2. **NEVER PICK UP A FLAMING PAN** - You may be burned.
3. **DO NOT USE WATER**, including wet dishcloths or towels - violent steam explosion will result.
4. Use an extinguisher **ONLY** if:
 - A. You know you have a Class ABC extinguisher and you already know how to operate it.
 - B. The fire is small and contained in the area where it started.
 - C. The fire department is being called.
 - D. You can fight the fire with your back to an exit.

* Based on "Kitchen Fire Safety Tips" published by NFPA.

CAUTION

1. To reduce risk of fire and to properly exhaust air, be sure to duct air outside. Do not vent exhaust air into spaces within walls or ceilings or into attics, crawl spaces, or garages.
2. Take care when using cleaning agents or detergents.
3. Avoid using food products that produce flames under the Range Hood.
4. For general ventilating use only. Do not use to exhaust hazardous or explosive materials and vapors.
5. To avoid motor bearing damage and noisy and/or unbalanced impellers, keep dry-wall spray, construction dust, etc. off power unit.
6. Your hood motor has a thermal overload which will automatically shut off the motor if it becomes overheated. The motor will restart when it cools down. If the motor continues to shut off and restart, have the hood serviced.
7. For best capture of cooking impurities, the bottom of the hood should be a minimum of 24" and a maximum of 30" above the cooking surface.
8. Two installers are recommended because of the large size and weight of this hood.
9. This product is equipped with a thermostat which may start blower automatically. To reduce the risk of injury and to prevent power from being switched on accidentally, switch power off at service panel and lock or tag service panel.
10. Please read specification label on product for further information and requirements.
11. Do not use top of hood or glass as a shelf.

OPERATION

Controls

The hood is operated using the (4) push-buttons located at eye-level, on the front edge of the hood.

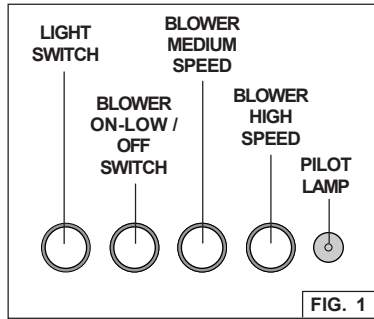
The **light switch** turns the halogen lights on and off.

The **blower on-low / off switch** turns the blower on to its lowest running speed. The blower must be turned on using this switch. Turn the blower off by pressing this switch a second time.

The **blower medium speed switch** changes the blower speed to medium. This switch works only if the blower is already running at low or high speed.

The **blower high speed switch** changes the blower speed to high. This switch works only if the blower is already running at low or medium speed.

The **pilot lamp** lights up whenever the blower is on.



HEAT SENTRY™

Your hood is equipped with a HEAT SENTRY™ thermostat. This thermostat is a device that will turn on or speed up the blower if it senses excessive heat above the cooking surface.

1) If blower is OFF - it turns blower ON to HIGH speed.

2) If blower is ON at a lower speed setting - it turns blower up to HIGH speed.

When the temperature level drops to normal, the blower will return to its original setting.

WARNING

The HEAT SENTRY thermostat can start the blower even if the hood is turned OFF. When this occurs, it is impossible to turn the blower OFF with its switch. If you must stop the blower, do it from the main electrical panel.

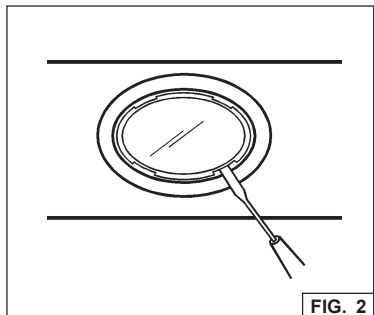
HALOGEN BULBS


This range hood requires two halogen bulbs (Type T3, 12Volt, 20Watt Max, G-4 Base).

 **WARNING:** Always switch off the electrical supply before carrying out any operation on the appliance.

To change bulbs:

1. Open the cover by prying from the proper slots. Fig. 2.
2. Remove the bulb by pulling sideways. (DO NOT ROTATE).



 **CAUTION:** Bulb may be hot.

3. Replace with Type T3, 12Volt, 20 Watt Max, G-4 Base halogen bulb. Do not touch replacement bulb with bare hands!

 **CAUTION:** Use of bulbs greater than 20 watts will cause the fuse to open.

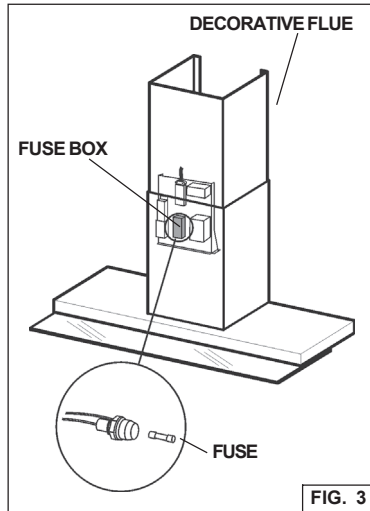
FUSE REPLACEMENT

IF LIGHTS FAIL TO OPERATE, DISCONNECT THE POWER AT THE SERVICE ENTRANCE. CHECK THE FUSE AND REPLACE IF NECESSARY.

1. Remove the decorative flue.
2. Remove the cover from the fuse box.
3. Locate the fuse holder. Unscrew its cap and remove the fuse.
4. Replace the fuse with the same size and amperage (5x20mm, 4amp, 125volt).

⚠ CAUTION: Use of a fuse greater than 4 amps may damage the transformer.

5. Reinstall the fuse holder cap, the fuse box cover and decorative flues.
6. Reconnect power at the service entrance.



MAINTENANCE

Proper maintenance of the Range Hood will assure proper performance of the unit.

Grease Filter

The **grease filter** should be cleaned frequently. Use a warm detergent solution. Grease filter is dishwasher safe.

See "INSTALL FILTERS" section for removal and installation instructions.

Non-ducted Recirculation Filter

The non-ducted recirculation filter should be changed every 6 months. See "INSTALL FILTERS" section for removal and installation instructions.

Hood Cleaning

Stainless steel is one of the easiest materials to keep clean. Occasional care will help preserve its fine appearance.

Cleaning tips:

- Hot water with soap or detergent is all that is usually needed.
- Follow all cleaning by rinsing with clear water. Wipe dry with a clean, soft cloth to avoid water marks.
- For discolorations or deposits that persist, use a non-scratching household cleanser or stainless steel polishing powder with a little water and a soft cloth.
- For stubborn cases, use a plastic scouring pad or soft bristle brush together with cleanser and water. Rub lightly in direction of polishing lines or "grain" of the stainless finish. Avoid using too much pressure which may mar the surface.
- **DO NOT** allow deposits to remain for long periods of time.
- **DO NOT** use ordinary steel wool or steel brushes. Small bits of steel may adhere to the surface causing rust.
- **DO NOT** allow salt solutions, disinfectants, bleaches, or cleaning compounds to remain in contact with stainless steel for extended periods. Many of these compounds contain chemicals which may be harmful. Rinse with water after exposure and wipe dry with a clean cloth.

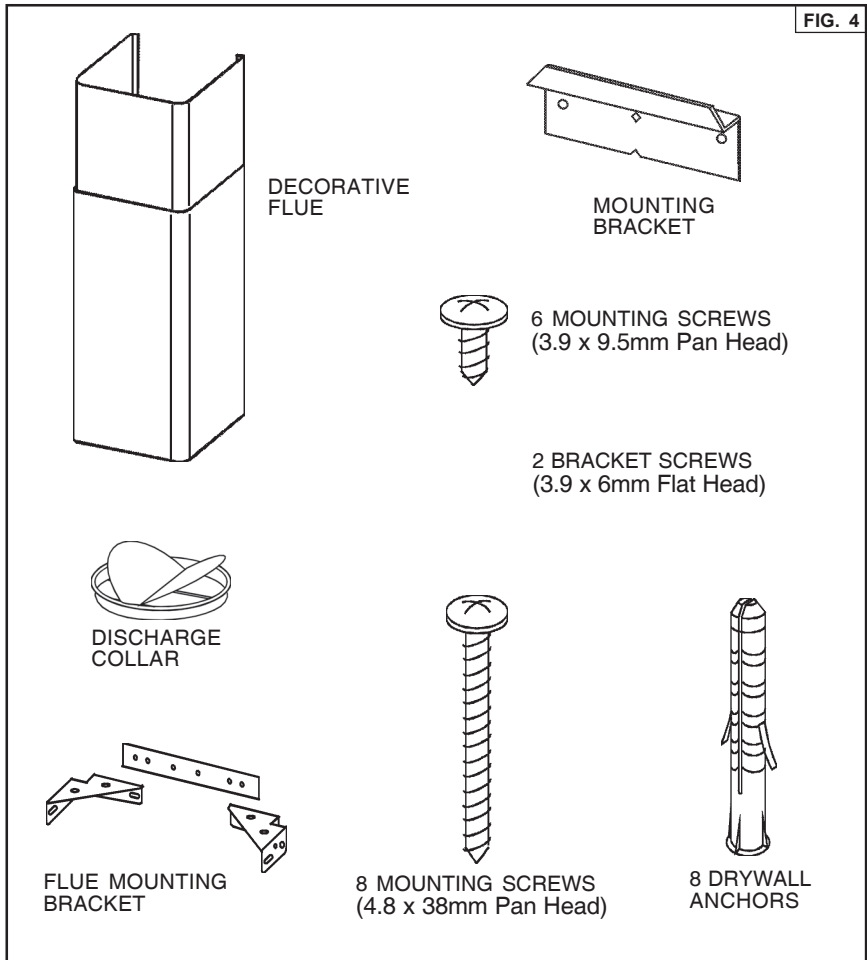
Painted surfaces should be cleaned with warm water and mild detergent only.

PREPARE THE HOOD

Unpack hood and check contents.

You should receive:

- 1 - Hood
- 1 - Decorative Flue Assembly
- 1 - Parts Bag (B080810501) containing:
 - 1 - Mounting Bracket
 - 1 - Discharge Collar
 - 1 - Flue Mounting Bracket
 - 8 - Mounting Screws (4.8 x 38mm Pan Head)
 - 6 - Mounting Screws (3.9 x 9.5mm Pan Head)
 - 2 - Bracket Screws (3.9 x 6mm Flat Head)
 - 8 - Drywall Anchors
- 1 - Installation Instructions
- 1 - Warranty Card

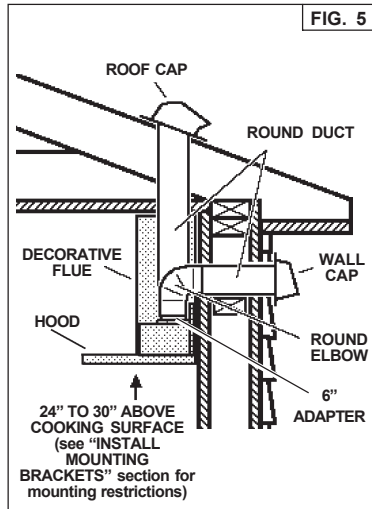


INSTALL THE DUCTWORK

DUCTED HOODS ONLY

NOTE: To reduce the risk of fire, use only metal ductwork.

1. Decide where the ductwork will run between the hood and the outside.
2. A straight, short duct run will allow the hood to perform most efficiently.
3. Long duct runs, elbows, and transitions will reduce the performance of the hood. Use as few of them as possible. Larger ducting may be required for best performance with longer duct runs.
4. Install a roof or wall cap. Connect round metal ductwork to cap and work back towards hood location. Use duct tape to seal the joints between ductwork sections.



INSTALL ELECTRICAL

DUCTED and NON-DUCTED HOODS

⚠ WARNING : Electrical wiring must be done by a qualified person(s) in accordance with all applicable codes and standards. This range hood must be properly grounded. Turn off electrical power at service entrance before wiring.

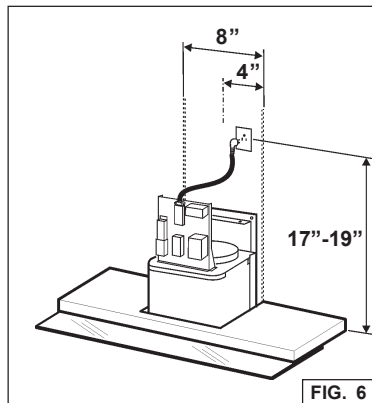
GROUNDING INSTRUCTIONS

This appliance must be grounded. In the event of an electrical short circuit, grounding reduces the risk of electric shock by providing an escape wire for the electric current. This appliance is equipped with a cord having a grounding wire with a grounding plug. The plug must be plugged into an outlet that is properly installed and grounded.

WARNING - Improper grounding can result in a risk of electric shock.

Consult a qualified electrician if the grounding instructions are not completely understood, or if doubt exists as to whether the appliance is properly grounded. Do not use an extension cord. If the power supply cord is too short, have a qualified electrician install an outlet near the appliance.

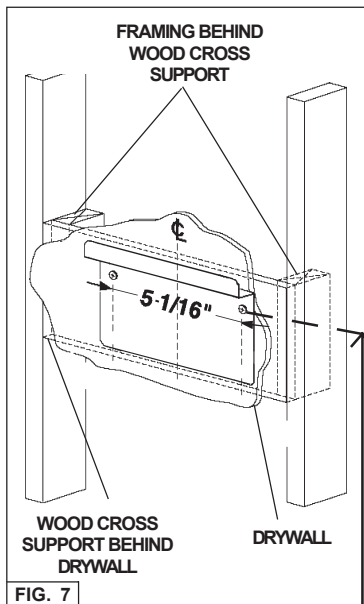
1. Plan where the hood will be located above the cook top. Refer to the "INSTALL MOUNTING BRACKET" section for hood mounting height options.
2. Run 2-wire plus ground power cable to a standard 2" x 4" wall outlet box and 3-blade, 125 volt, 15 Amp grounded receptacle. Fig. 6.
3. Mount the receptacle 17" to 19" above the bottom of the hood.
4. Locate the box and the receptacle within boundary shown and off center of the ductwork (to allow for power cord plug and flue clearance).



INSTALL MOUNTING BRACKET

DUCTED and NON-DUCTED HOODS

1. Construct wood wall **framing** that is flush with interior surface of wall studs. Fig. 7. Make sure:
 - a) the framing is centered over installation location.
 - b) the height of the framing will allow the **mounting bracket** to be secured to the framing within the dimensions shown.
2. **After wall surface is finished**, secure the mounting bracket to framing with (2) 4.8 x 38mm mounting screws. See chart below for mounting bracket location.



CEILING HEIGHT	HOOD DISTANCE ABOVE 36" HIGH COOK TOP (see note a)						
	24"	25"	26"	27"	28"	29"	30"
	MOUNTING BRACKET LOCATION ABOVE 36" HIGH COOK TOP						
8-FOOT	37-1/8"	38-1/8"	39-1/8"	40-1/8"	41-1/8"	42-1/8"	43-1/8"
9-FOOT				40-1/8"	41-1/8"	42-1/8"	43-1/8"
10- FOOT (see note b)		38-1/8"	39-1/8"	40-1/8"	41-1/8"	42-1/8"	43-1/8"

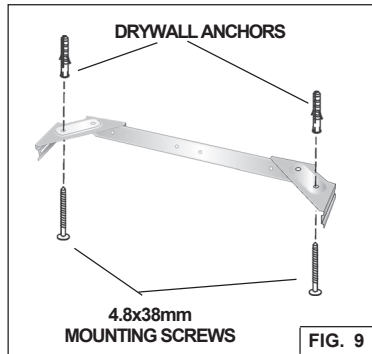
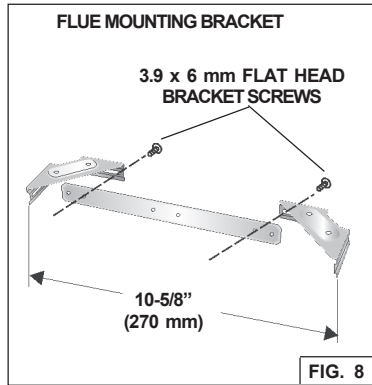
Notes:

- a. Minimum hood distance above cook top must not be less than 24".
A maximum of 30" above cook top is highly recommended for best capture of cooking impurities.
Distances over 30" above the cook top are at the installer's and user's discretion; providing that ceiling height and flue length permit.
- b. Requires optional 10 foot flue extension, ducted model FX55SS or non-ducted model FXN55SS.

INSTALL FLUE MOUNTING BRACKET

DUCTED AND NON-DUCTED HOODS

1. Assemble the flue mounting bracket, adjusting outside width as shown. Fig.8
2. **Carefully** center the mounting bracket directly over the range hood location.
3. Secure the bracket assembly to the ceiling using (2) 4.8x38mm mounting screws and drywall anchors (Fig. 9). Make sure the bracket is pushed into the corner, tight against the wall and centered over the hood.

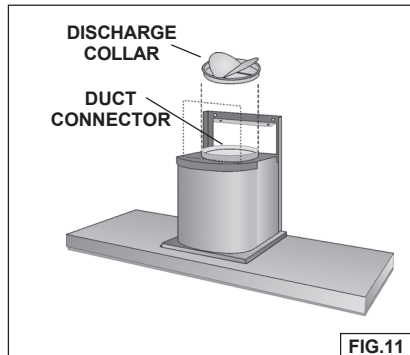
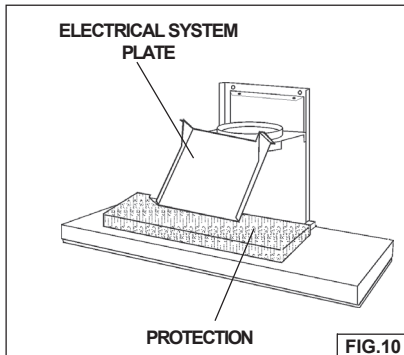


PREPARE THE HOOD

Note: On stainless steel hoods, carefully remove the plastic protective film from all exterior surfaces of the hood and decorative flues, prior to final installation.

DUCTED CONFIGURATION

1. Remove the tape on the electrical system plate; place the electrical system plate on the hood (use a protection). Fig. 10
2. Install the discharge collar into the duct connector of the range hood. Fig. 11

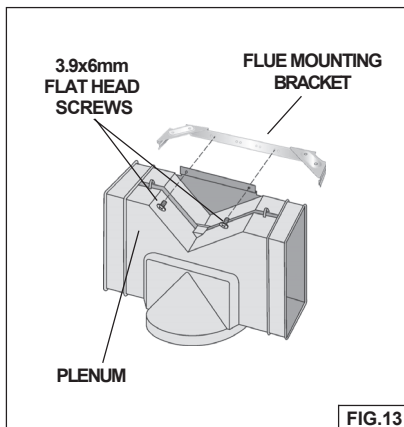
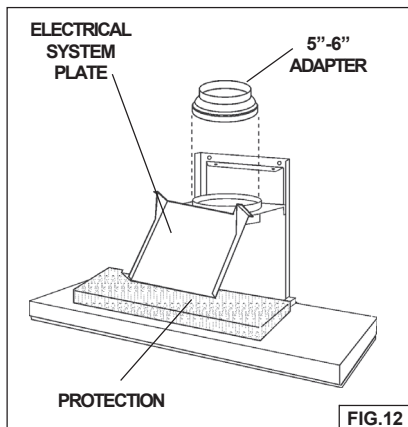


PREPARE THE HOOD

NON - DUCTED HOODS ONLY

Note: The following materials must be purchased separately for non-ducted recirculation installations.

- Non - Ducted Recirculation Kit, Model RK55.
 - 5" diameter duct.
1. Remove the tape on the electrical system plate; place the electrical system plate on the hood (use a protection). Fig.12.
 2. Discard discharge collar/damper supplied with the hood. Install the 5" to 6" adapter supplied with the Non-Ducted Recirculation Kit.
 3. Secure the plenum to the flue mounting bracket with (2) 3.9x6mm flat head screws (the screws are supplied with the Non-Ducted Recirculation Kit). Fig.13.

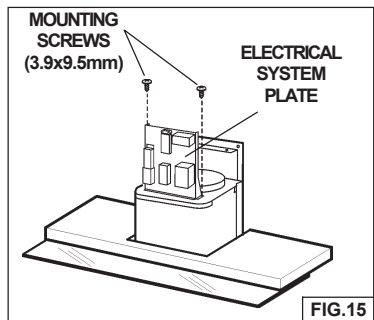
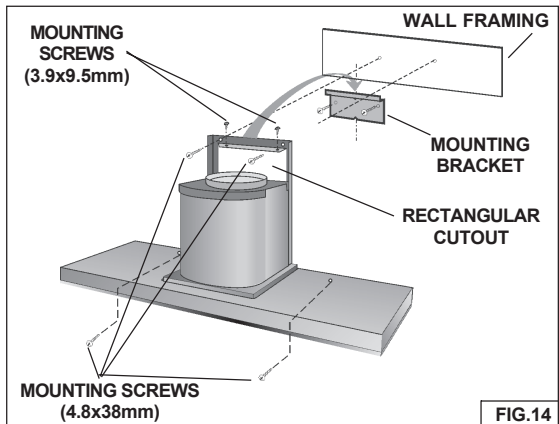


INSTALL THE HOOD

DUCTED AND NON-DUCTED HOODS

Note: at least two people will be required to mount the hood.

1. Raise the hood into its mounting position.
2. Align the rectangular opening on the back of the hood with the wall-mounting bracket. Gently lower the hood until it securely engages the bracket. Fig. 14.
3. Level the hood with (2) 3.9x9.5mm mounting screws and secure with (4) 4.8x38mm mounting screws. Use drywall anchors provided if wall studs or framing are not available. Fig. 14.
4. Mount the electrical system plate attaching it with (3) 3.9x9.5 mounting screws. Fig. 15.
5. On **ducted hoods**, attach 6" round metal duct between the hood's blower collar and duct that leads to the outside location.
6. On **non-ducted hoods**, attach 5" round metal expandable duct between the 5"-6" adapter on the hood and the connector on the plenum.
7. Tape all duct joints to make them secure and air tight.
8. Plug the power cord into the electric wall receptacle. Tuck excess cord behind the flue.



INSTALL THE HOOD, cont'd

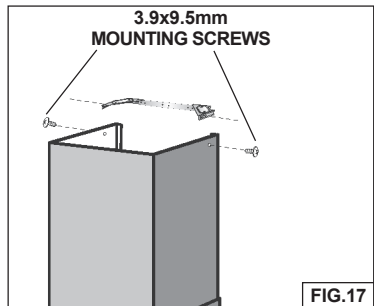
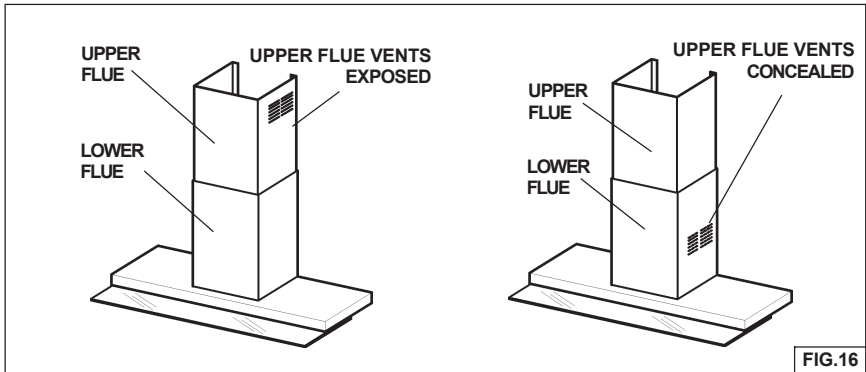
9. Carefully place the decorative flue on the hood. Fig. 16.

- On **ducted** installation in rooms with **8-foot ceilings**, the air vents are concealed. Install the flue with the air vents down.
- On **non-ducted** installations in rooms with **8-foot ceilings**, the air vents are exposed. Install the flue with the air vents up.
- On **ducted and non-ducted** installations in rooms with **9-foot ceilings**, the vents are exposed. Install the flue with air vents up.

ROOMS WITH 10-FOOT CEILINGS

Rooms with 10-foot ceilings require flue extension model FX55SS or non-ducted model FXN55SS, available from your local dealer.

10. Discard the upper flue supplied with the product. Replace it with the flue extension.
11. Raise the upper flue until its holes align with holes in the flue mounting bracket (located on ceiling). Fig. 17.
12. Secure the flue with (2) 3.9x9.5mm mounting screws. Fig. 17.



INSTALL FILTERS

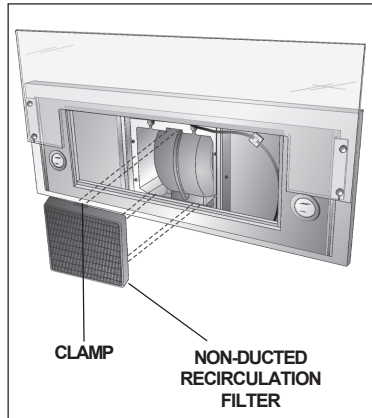
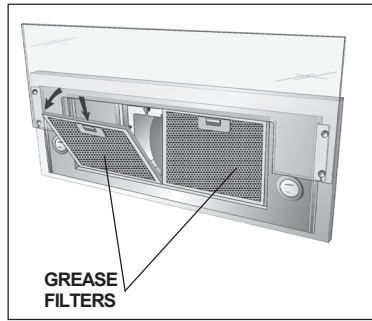
(DUCTED AND NON-DUCTED HOODS)

1. To remove the GREASE filter, push in on the metal latch tab and tilt filter downward to remove.
2. To install the GREASE filter, align rear filter tabs with slots in the hood. Depress the metal latch tab, push filter into position and release. Make sure filter is securely engaged after installation.

NOTE: Prior to use, remove protective film from the filter frame.

(NON-DUCTED HOODS ONLY)

1. To remove the CHARCOAL filter, push in on the front filter latch. Pull the filter down to disengage the rear filter tabs.
2. To install the CHARCOAL filter, align the rear filter tabs with slots in the hood. Push the filter up into place until the front latch snaps securely into the slot. Make sure the filter is securely engaged after assembly.
3. Install GREASE filter after charcoal filter is installed.



WARRANTY

BROAN-NUTONE LLC ONE YEAR LIMITED WARRANTY

Broan-NuTone LLC warrants to the original consumer purchaser of its products that such products will be free from defects in materials or workmanship for a period of one year from the date of original purchase. THERE ARE NO OTHER WARRANTIES, EXPRESS OR IMPLIED, INCLUDING, BUT NOT LIMITED TO, IMPLIED WARRANTIES OR MERCHANTABILITY OR FITNESS FOR A PARTICULAR PURPOSE.

During this one-year period, Broan-NuTone LLC will, at its option, repair or replace, without charge, any product or part which is found to be defective under normal use and service.

THIS WARRANTY DOES NOT EXTEND TO FLUORESCENT LAMP STARTERS, TUBES, HALOGEN AND INCANDESCENT BULBS. This warranty does not cover (a) normal maintenance and service or (b) any products or parts which have been subject to misuse, negligence, accident, improper maintenance or repair (other than by Broan-NuTone LLC), faulty installation or installation contrary to recommended installation instructions.

The duration of any implied warranty is limited to the one-year period as specified for the express warranty. Some states do not allow limitation on how long an implied warranty lasts, so the above limitation may not apply to you.

BROAN-NUTONE LLC'S OBLIGATION TO REPAIR OR REPLACE, AT BROAN-NUTONE LLC'S OPTION, SHALL BE THE PURCHASER'S SOLE AND EXCLUSIVE REMEDY UNDER THIS WARRANTY. BROAN-NUTONE LLC SHALL NOT BE LIABLE FOR INCIDENTAL, CONSEQUENTIAL OR SPECIAL DAMAGES ARISING OUT OF OR IN CONNECTION WITH PRODUCT USE OR PERFORMANCE. Some states do not allow the exclusion or limitation of incidental or consequential damages, so the above limitation or exclusion may not apply to you.

This warranty gives you specific legal rights, and you may also have other rights, which vary from state to state. This warranty supersedes all prior warranties.

To qualify for warranty service, you must (a) notify Broan-NuTone LLC at the address stated below or telephone: 1-800-637-1453, (b) give the model number and part identification and (c) describe the nature of any defect in the product or part. At the time of requesting warranty service, you must present evidence of the original purchase date.

Broan-NuTone LLC, 926 West State Street, Hartford, WI 53027 (1-800-637-1453)

NuTone Inc., 4820 Red Bank Road, Cincinnati, OH 45227 (1-800-543-8687)

Broan-NuTone Canada Inc. 1140 Tristar Drive, Mississauga, Ontario L5T 1H9 (1-888-882-7626)

LISEZ ET CONSERVEZ CES INSTRUCTIONS

 **POUR UTILISATION DOMESTIQUE SEULEMENT** 

  **AVERTISSEMENT**

POUR RÉDUIRE LES RISQUES D'INCENDIE, D'ÉLECTROCUTION OU DE BLESSURES CORPORELLES, OBSERVEZ LES INSTRUCTIONS SUIVANTES :

1. N'utilisez cet appareil que de la façon prévue par le fabricant. Si vous avez des questions, contactez le fabricant à l'adresse ou au numéro de téléphone indiqués dans la garantie.
2. Avant de nettoyer ou de réparer l'appareil, coupez le courant au panneau d'alimentation et verrouillez-en l'accès afin d'éviter sa remise en marche accidentelle. Si le panneau d'alimentation ne peut être verrouillé, apposez un avertissement bien en évidence, par exemple une étiquette de couleur vive.
3. Les travaux d'installation et de raccordement électrique doivent être effectués par du personnel qualifié en respectant les normes et règlements en vigueur, y compris les normes et codes de bâtiment en matière de prévention d'incendie.
4. Une circulation d'air efficace est requise afin d'assurer la combustion et l'évacuation complète des gaz par la cheminée des équipements à combustion pour prévenir les retours de cheminée. Conformez-vous aux instructions et aux standards de sécurité des fabricants d'équipement de chauffage, tels qu'ils sont publiés par la *National Fire Protection Association (NFPA)* et l'*American Society for Heating, Refrigeration and Air Conditioning Engineers (ASHRAE)* ainsi que les responsables des codes locaux.
5. Lorsque vous coupez ou percez un mur ou un plafond, prenez garde de ne pas endommager les fils électriques ou autre installation qui pourraient y être dissimulés.
6. Les conduits de l'installation doivent toujours évacuer l'air à l'extérieur.
7. N'utilisez pas cet appareil avec une autre commande de vitesse à semi-conducteur.
8. Afin de réduire les risques d'incendie, n'utilisez que des conduits en métal.
9. Cet appareil doit être relié à une mise à la terre.

AFIN DE RÉDUIRE LES RISQUES DE FEU DE CUISINIÈRE :

- A. Ne laissez jamais les appareils de cuisson sans surveillance lorsqu'ils sont réglés à feu vif. Les débordements engendrent de la fumée et des déversements graisseux pouvant s'enflammer. Chauffez l'huile lentement, à feu doux ou moyen.
- B. Mettez toujours la hotte en marche lorsque vous cuisinez à feu vif ou que vous cuisinez des mets flambés (par ex. : crêpes Suzette, cerises jubilé, steak au poivre flambé).
- C. Nettoyez régulièrement la roue du moteur de ventilateur. Ne laissez pas la graisse s'accumuler sur le ventilateur ou le filtre.
- D. Utilisez le bon format de casserole. Servez-vous toujours d'ustensiles de cuisson appropriés à la dimension de la surface chauffante.

  **AVERTISSEMENT**

AFIN D'ÉVITER TOUTS RISQUES DE BLESSURE LORS D'UN FEU DE CUISINIÈRE, OBSERVEZ LES INSTRUCTIONS SUIVANTES* :

1. **ÉTOUFFEZ LES FLAMMES** à l'aide d'un couvercle le plus hermétique possible, une plaque à biscuits ou un plateau en métal, puis éteignez le brûleur. **ATTENTION de NE PAS VOUS BRÛLER.** Si les flammes ne s'éteignent pas immédiatement, **SORTEZ ET APPELEZ LES POMPIERS.**
2. **NE PRENEZ JAMAIS EN MAIN UNE POÊLE OU UNE CASSEROLE QUI A PRIS FEU** - vous pourriez vous brûler.
3. **N'UTILISEZ PAS D'EAU**, ni de torchons ou de serviettes mouillés - vous provoqueriez une violente explosion de vapeur.

4. Utilisez un extincteur SEULEMENT LORSQUE :
 - A. Vous savez qu'il s'agit d'un extincteur de classe ABC et que vous en connaissez le fonctionnement.
 - B. L'incendie est petit et limité à l'endroit où il a débuté.
 - C. Les pompiers ont été avisés.
 - D. Vous pouvez combattre l'incendie en ayant accès à une sortie de secours.

* Tirées du *Kitchen Fire Safety Tips* publié par la NFPA.

ATTENTION

1. Afin de réduire les risques d'incendie et d'évacuer correctement l'air, assurez-vous d'évacuer l'air à l'extérieur. N'évacuez pas l'air dans des espaces clos comme l'intérieur des murs ou d'un plafond, dans le grenier, faux-plafond ou garage.
2. Faites très attention lors de l'utilisation de produits de nettoyage ou de détergents.
3. Évitez d'utiliser des aliments pouvant s'enflammer sous la hotte de cuisinière.
4. N'utilisez cet appareil que pour une ventilation générale. Ne l'utilisez pas pour évacuer des matières ou des vapeurs dangereuses ou explosives.
5. Pour éviter de causer des dommages au moteur et de rendre les rotors bruyants et/ou non équilibrés, gardez votre appareil à l'abri des poussières de gypse et de construction ou de rénovation, etc.
6. Le moteur de votre hotte possède une protection thermique qui éteindra automatiquement le moteur s'il devient surchauffé. Il redémarrera automatiquement une fois refroidi. Si le moteur continue à s'éteindre et à se remettre en marche, faites vérifier votre hotte.
7. Pour une meilleure évacuation des odeurs de cuisson, le bas de votre hotte devrait être à un minimum de 24 po et à un maximum de 30 po au-dessus de la surface de cuisson. Voir « Préparation de la structure de support » pour les restrictions relatives au montage.
8. En raison de la grande dimension et du poids de cet appareil, il est recommandé de confier l'installation de cette hotte à deux personnes.
9. Ce produit est doté d'un thermostat pouvant activer automatiquement le ventilateur. Pour réduire le risque de blessures et éviter l'activation accidentelle, coupez le courant depuis le panneau d'alimentation électrique et verrouillez ou apposez un avertissement sur le panneau.
10. Cette hotte ne doit être utilisée qu'avec un ensemble de cordon d'alimentation approuvé.
11. Nous vous recommandons de lire l'étiquette indiquant les caractéristiques de votre hotte pour de plus amples renseignements et exigences.

FONCTIONNEMENT

Commandes

La hotte fonctionne à l'aide de (4) boutons-poussoirs situés à hauteur des yeux sur le rebord avant de la hotte.

L'**interrupteur d'éclairage** allume et éteint les lampes halogènes.

L'**interrupteur basse vitesse et arrêt** active le ventilateur à la vitesse la plus basse. Le ventilateur doit être activé par ce bouton. Pour arrêter le ventilateur, appuyer une deuxième fois sur ce bouton.

L'**interrupteur vitesse moyenne** change la vitesse du ventilateur pour la vitesse moyenne. Ce bouton ne fonctionne que si le ventilateur est déjà à vitesse basse ou élevée.

L'**interrupteur vitesse élevée** change la vitesse du ventilateur pour la vitesse élevée. Ce bouton ne fonctionne que si le ventilateur est déjà à vitesse basse ou moyenne. Le **voyant lumineux** s'allume quand le ventilateur fonctionne.

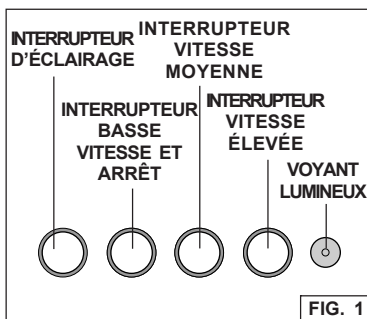


FIG. 1

HEAT SENTRY^{MC}

Votre hotte est munie d'un thermostat HEAT SENTRY^{MC}. Ce thermostat est un dispositif qui actionnera ou augmentera la vitesse du ventilateur s'il détecte une chaleur excessive au-dessus de la surface de cuisson.

- 1) Si le ventilateur n'est pas en marche, il actionnera le ventilateur en haute vitesse.
 - 2) Si le ventilateur fonctionne en basse vitesse, le ventilateur passera en haute vitesse.
- Lorsque la température revient à la normale, le ventilateur retourne à sa vitesse d'origine.

AVERTISSEMENT

Le thermostat HEAT SENTRY^{MC} peut activer le ventilateur même si la hotte est arrêtée. Si tel est le cas, il est impossible d'arrêter le ventilateur depuis son interrupteur. Si vous devez arrêter le ventilateur, faites-le depuis le panneau électrique principal.

AMPOULES HALOGÈNES

Ce modèle de hotte requiert (2) ampoules halogènes (type T3, 12 V, 20 W max, base G-4).

 **AVERTISSEMENT : Avant de procéder à quelque opération, débranchez toujours l'appareil.**

Pour remplacer les ampoules :

1. Soulever en levier le couvercle depuis les fentes appropriées. Fig. 2.
2. Retirer l'ampoule en tirant sur le côté (NE PAS LA TOURNER).

 **ATTENTION: l'ampoule peut être chaude.**

3. Remplacer par une ampoule de mêmes caractéristiques (T3, 12 V, 20 W max, base G-4). Ne touchez pas à l'ampoule neuve mains nues !

 **ATTENTION: L'utilisation d'ampoules de plus de 20 watts brûlera le fusible.**

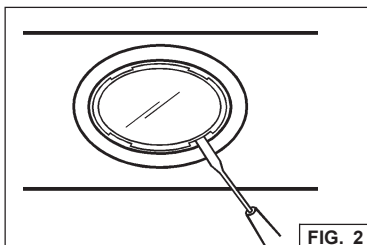


FIG. 2

REPLACEMENT DU FUSIBLE

SI LES LAMPES NE FONCTIONNENT PAS, DÉCONNECTER L'ALIMENTATION ÉLECTRIQUE AU POINT D'ORIGINE DE L'INSTALLATION ÉLECTRIQUE. VÉRIFIER QUE LE FUSIBLE SOIT EN BON ÉTAT, PUIS LE REMPLACER AU BESOIN.

1. Retirer le conduit décoratif.
2. Retirer le couvercle de la boîte du fusible.
3. Localiser le porte-fusible. Dévisser sa calotte et retirer le fusible.
4. Installer un fusible de même taille et de même intensité (5 x 20 mm, 4 A, 125 V).

⚠ ATTENTION : Des fusibles de plus de 4 ampères peuvent abîmer le transformateur.

5. Remettre en place le capuchon du porte-fusible, le couvercle de la boîte du fusible et le conduit décoratif.
6. Rétablir l'alimentation électrique au point d'origine de l'installation électrique.

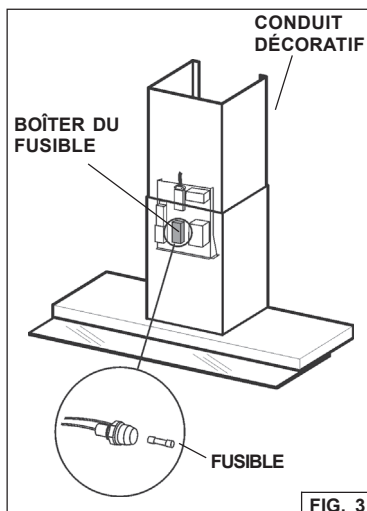


FIG. 3

ENTRETIEN

Un bon entretien de votre hotte garantira une excellente performance.

Filtres à graisses

Les filtres à graisses doivent être nettoyés fréquemment. Utiliser une solution d'eau chaude additionnée de détergent. Les filtres à graisses peuvent être lavés au lave-vaisselle. Voir la section « INSTALLATION DES FILTRES » pour les instructions relatives au démontage et à l'installation.

Filtre à charbon

Le filtre à charbon (pour hottes à recirculation) doit être changé tous les 6 mois. Voir la section « INSTALLATION DES FILTRES » pour les instructions relatives au démontage et à l'installation.

Nettoyage de votre hotte

L'acier inoxydable est l'une des matières les plus faciles à nettoyer. Un entretien occasionnel permettra de le conserver en parfait état. Conseils pour le nettoyage :

- Eau chaude et savon ou détergent, c'est tout ce qui est normalement nécessaire.
- Après chaque nettoyage, rincer bien à l'eau claire. Essuyer avec un chiffon propre et doux pour éviter les taches d'eau.
- Si des décolorations ou des dépôts persistent, utiliser un nettoyant domestique non abrasif ou de la poudre pour l'acier inoxydable avec un peu d'eau et un chiffon doux.
- Dans les cas difficiles, utiliser une éponge en plastique ou une brosse douce avec du nettoyant et de l'eau. Frotter légèrement en suivant la direction du polissage ou du « grain » de l'acier inoxydable. Éviter de frotter trop fort pour ne pas abîmer la surface.
- **NE PAS LAISSER** les taches sur place trop longtemps.
- **NE PAS UTILISER** de laines d'acier ordinaires ou de brosses en acier. Des débris d'acier pourraient adhérer à la surface et causer de la rouille.
- **NE PAS LAISSER** trop longtemps des solutions salines, des désinfectants, des blanchissants ou des produits nettoyants en contact avec l'acier. Beaucoup de ces produits contiennent des produits chimiques qui pourraient causer des dommages. Rincer à l'eau immédiatement s'ils entrent en contact, puis essuyer avec un chiffon humide.

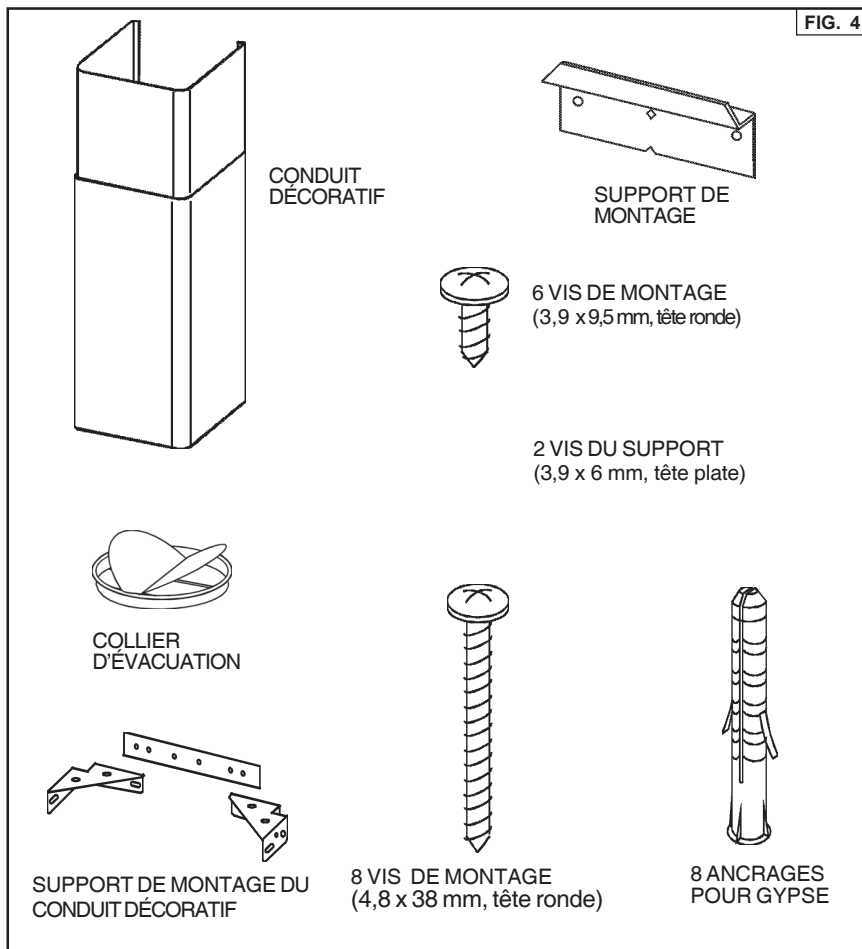
Les surfaces peintes doivent être nettoyées avec de l'eau tiède additionnée d'un détergent doux seulement.

PRÉPARATION DE LA HOTTE

Retirer la hotte de l'emballage, puis vérifier le contenu.

Vous devez recevoir :

- 1 - Hotte
- 1 - Conduit décoratif
- 1 - Sachet (B080810501) avec :
 - 1 - Support de montage
 - 1 - Collier d'évacuation
 - 1 - Support de montage du conduit décoratif
 - 8 - Vis de montage (4,8 x 38 mm, tête ronde)
 - 6 - Vis de montage (3,9 x 9,5 mm, tête ronde)
 - 2 - Vis de montage (3,9 x 6 mm, tête plate)
 - 8 - Ancrages pour gypse
- 1 - Instructions d'installation
- 1 - Fiche de garantie

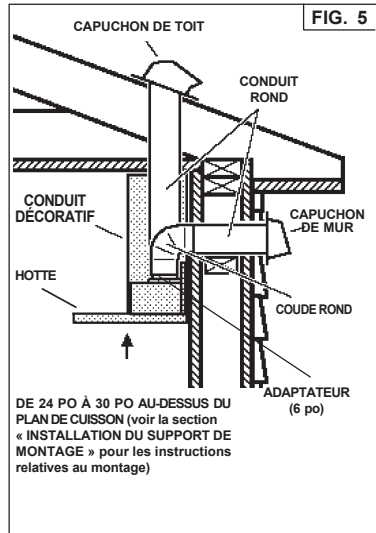


INSTALLATION DU SYSTÈME DE CONDUITS

HOTTES À ÉVACUATION EXTÉRIEURE SEULEMENT

REMARQUE : Pour réduire les risques d'incendie, n'utilisez que des conduits en métal.

1. Déterminer par où passera le conduit, entre votre hotte et l'extérieur.
2. Un conduit droit et court permettra à votre hotte de fonctionner plus efficacement.
3. Un conduit long avec des coudes et des transitions réduira la performance de votre hotte. En utiliser le moins possible. Pour une grande distance, il faut un conduit d'évacuation d'air au diamètre plus grand.
4. Installer un capuchon de toit ou de mur. Relier le conduit circulaire en métal au capuchon, puis acheminer le conduit jusqu'à l'emplacement de votre hotte. Sceller hermétiquement les raccords à l'aide de ruban à conduits.



INSTALLATION ÉLECTRIQUE

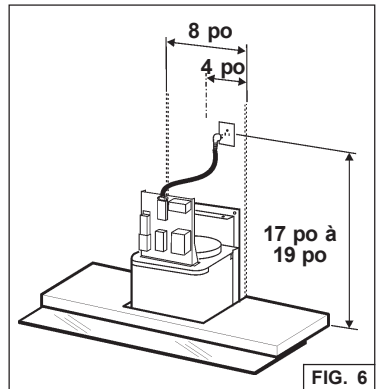
HOTTES À ÉVACUATION ET À RECIRCULATION

⚠ AVERTISSEMENT : le câblage électrique doit être effectué par du personnel qualifié en vertu des codes et des normes en vigueur. La hotte doit être correctement reliée à la terre. Coupez l'alimentation électrique avant de procéder au câblage.

INSTRUCTIONS POUR LA MISE À LA TERRE

Cet appareil doit être relié à la terre. En cas de court-circuit électrique, la mise à la terre réduit le risque d'électrocution en fournissant un câble d'évacuation du courant. Cet appareil est muni d'un cordon équipé d'un câble de mise à la terre avec fiche de mise à la terre. La fiche doit être branchée dans une prise de courant correctement installée et mise à la terre. **AVERTISSEMENT** - Une mise à la terre incorrecte peut entraîner un risque d'électrocution. Consultez un électricien si les instructions de mise à la terre ne sont pas tout à fait compréhensibles ou si un doute persiste quant à savoir si l'appareil est correctement relié à la terre. Ne pas utiliser de rallonge électrique. Si le cordon d'alimentation est trop court, demandez à un électricien d'installer une prise de courant près de l'appareil.

1. Planifier l'endroit où la hotte sera placée au-dessus du plan de cuisson. Voir la section « INSTALLATION DU SUPPORT DE MONTAGE » pour les options relatives à la hauteur de montage de la hotte.
2. Amener un câble électrique bifilaire plus mise à la terre à une prise de courant murale standard (2 po x 4 po) munie d'une fiche avec mise à la terre à 3 trous, 125 V, 15 A - Fig. 6.
3. Installer la fiche entre 17 po à 19 po au-dessus de la hotte.
4. Placer la prise et fiche dans les limites indiquées, décentrées par rapport au conduit (permettant le passage du câble d'alimentation et le dégagement du conduit décoratif).



INSTALLATION DU SUPPORT DE MONTAGE

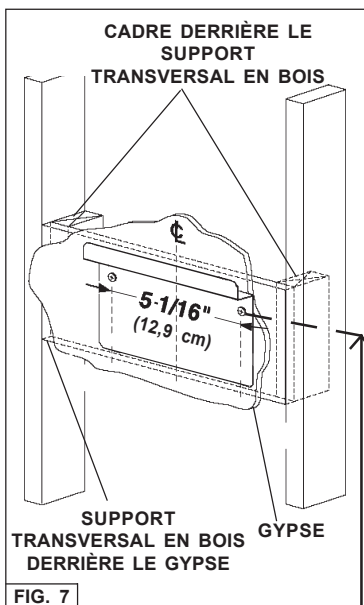
HOTTES À ÉVACUATION ET À RECIRCULATION

1. Construire un **cadre** mural en bois encastré entre les montants de la surface intérieure. Fig. 7.

Vous assurer que :

- le cadre est centré au-dessus de l'emplacement de l'installation.
- la hauteur du cadre permettra au **support de montage** d'y être bien fixé en respectant les dimensions indiquées.

2. **Après la finition du parement de mur**, fixer le support de montage au cadre avec (2) vis de montage de 4,8 x 38 mm. Voir le diagramme ci-dessous pour l'emplacement du support de montage.



HAUTEUR DU PLAFOND	ESPACEMENT ENTRE LA HOTTE ET LE PLAN DE CUISSON DE 36 PO DE HAUT (VOIR REMARQUE a)						
	24 po	25 po	26 po	27 po	28 po	29 po	30 po
EMPLACEMENT DU SUPPORT DE MONTAGE AU-DESSUS DU PLAN DE CUISSON DE 36 PO DE HAUT							
8 pi	37-1/8 po	38-1/8 po	39-1/8 po	40-1/8 po	41-1/8 po	42-1/8 po	43-1/8 po
9 pi				40-1/8 po	41-1/8 po	42-1/8 po	43-1/8 po
10 pi (voir remarque b)		38-1/8 po	39-1/8 po	40-1/8 po	41-1/8 po	42-1/8 po	43-1/8 po

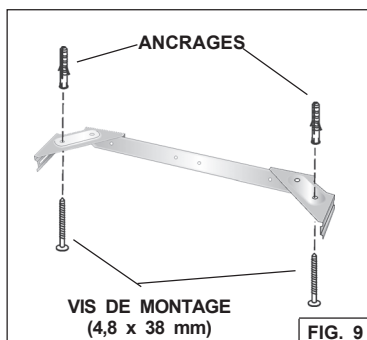
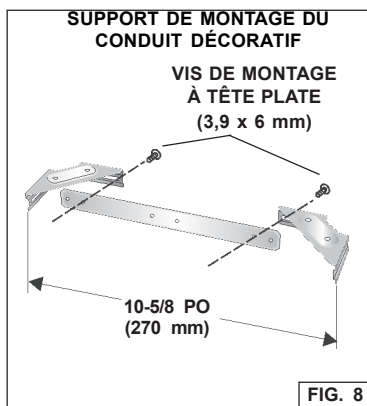
Remarques :

- La distance minimale de la hotte au-dessus du plan de cuisson ne doit pas être inférieure à 24 po. Un maximum de 30 po au-dessus du plan de cuisson est fortement recommandé pour mieux capter les odeurs de cuisson. Des distances supérieures à 30 po au-dessus du plan de cuisson sont à la discrétion de l'installateur et de l'utilisateur, et si la hauteur du plafond et la longueur du conduit le permettent.
- Une rallonge de conduit en option pour plafond de 10 pi est essentielle, modèles FX55SS pour hottes à évacuation ou FXN55SS pour hottes à recirculation.

INSTALLATION DU SUPPORT DE MONTAGE DU CONDUIT DÉCORATIF

HOTTES À ÉVACUATION ET À RECIRCULATION

1. Assembler le support de montage du conduit décoratif en réglant la largeur extérieure tel qu'il est illustré. Fig. 8.
2. Centrer **avec soin** le support directement sur l'emplacement destiné à la hotte.
3. Fixer l'assemblage du support au plafond avec (2) vis de montage de 4,8 x 38 mm et des ancrages pour gypse (Fig. 9). S'assurer que le support soit enfoncé dans le mur adjacent et centré au-dessus de la hotte.

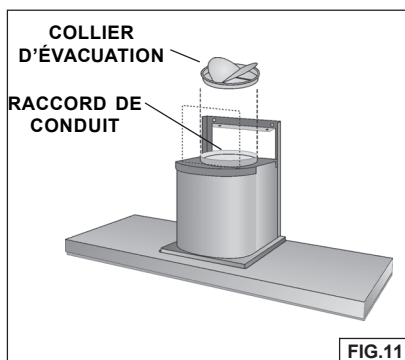
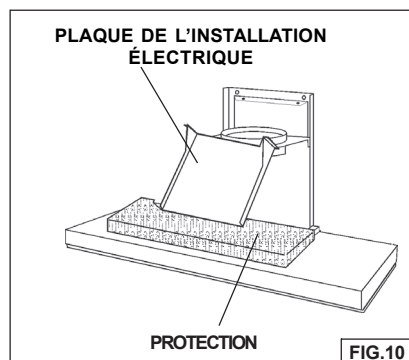


PRÉPARATION DE LA HOTTE

Remarque : si la hotte est en acier inoxydable, retirer avec soin le film protecteur des surfaces extérieures de la hotte et des conduits décoratifs avant de terminer l'installation.

HOTTES À ÉVACUATION

1. Retirer le ruban adhésif de la plaque de l'installation électrique; déposer la plaque du système électrique sur la hotte (utiliser une protection). Fig. 10
2. Installer le collier d'évacuation dans le raccord de conduit de la hotte. Fig. 11

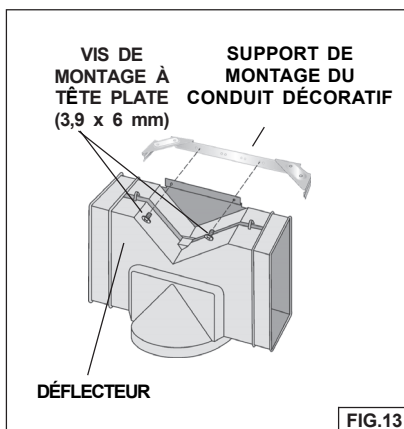
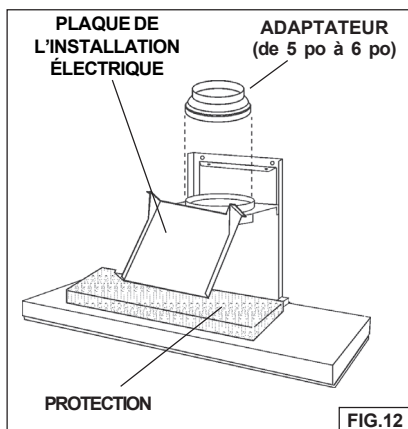


PRÉPARATION DE LA HOTTE

HOTTES À RECIRCULATION

Remarque : Le matériel suivant doit être acheté séparément pour les hottes à recirculation.

- Kit pour hottes à recirculation, modèle RK55.
 - Conduit de 5 po de diamètre.
1. Retirer le ruban adhésif de la plaque de l'installation électrique; déposer la plaque sur la hotte (utiliser une protection). Fig. 12
 2. Ne pas utiliser le collier d'évacuation/clapet fourni avec la hotte. Installer l'adaptateur de 5 po à 6 po (fourni avec le kit pour hottes à recirculation).
 3. Fixer le déflecteur au support de montage du conduit décoratif avec les (2) vis de montage à tête plate de 3,9 x 6 mm (fournies avec le kit pour hottes à recirculation). Fig. 13.

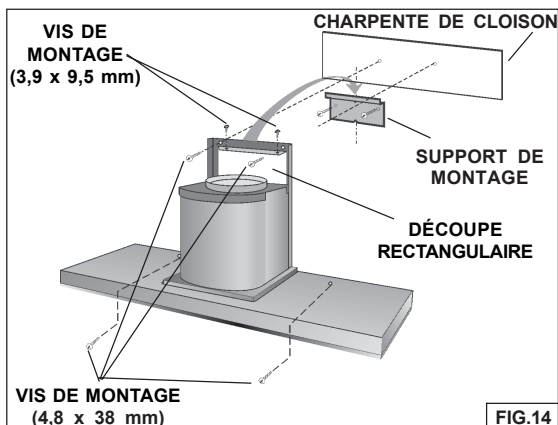


INSTALLATION DE LA HOTTE

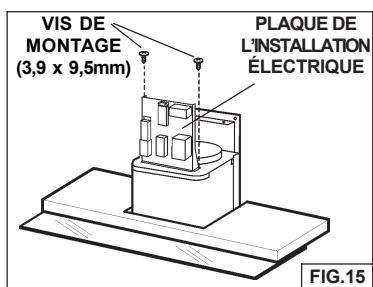
HOTTES À ÉVACUATION ET À RECIRCULATION

Remarque : la hotte doit être installée par au moins deux personnes.

1. Soulever la hotte et la placer où elle sera installée.
2. Aligner l'ouverture rectangulaire située à l'arrière de la hotte avec le support de montage mural. Abaisser lentement la hotte jusqu'à ce qu'elle s'emboîte dans le support (Fig. 14).



3. Mettre la hotte à niveau avec (2) vis de montage de 3,9 x 9,5 mm et la fixer avec (4) vis de montage de 4,8 x 38 mm. Si vous ne disposez pas de montants ni de structure, utiliser les ancres pour gypse fournis (Fig. 14).
4. Assembler la plaque de l'installation électrique en la fixant avec (3) vis d'assemblage (3,9 x 9,5 mm) - Fig. 15.
5. Sur les **hottes à évacuation**, raccorder un conduit métallique rond de 6 po entre le collier de ventilateur de la hotte et le conduit qui mène à l'emplacement extérieur.
6. Sur les **hottes à recirculation**, raccorder un conduit métallique extensible de 5 po entre l'adaptateur de 5 po à 6 po sur la hotte et le raccord sur le déflecteur.
7. Sceller hermétiquement les joints du conduit à l'aide de ruban à conduits.
8. Brancher le cordon d'alimentation à la fiche électrique murale. Dissimuler le surplus du cordon derrière le conduit.



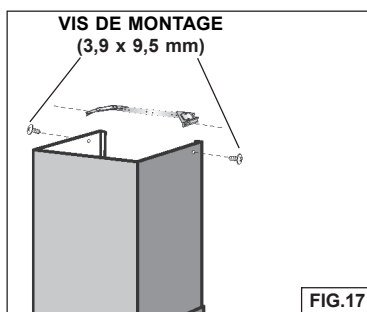
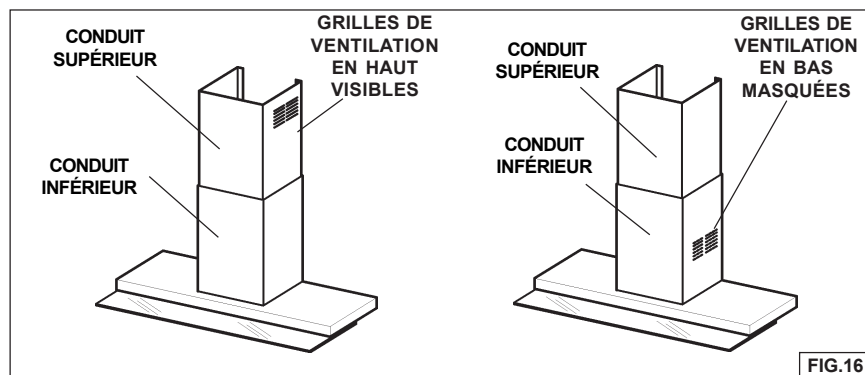
INSTALLATION DE LA HOTTE (suite)

9. Installer avec soin le conduit décoratif sur la hotte (Fig. 16).
 - Pour les hottes à **évacuation**, lorsque le plafond est de 8 pi, les grilles de ventilation du conduit supérieur sont masquées. Installer le conduit avec les grilles en bas.
 - Pour les hottes à **recirculation**, lorsque le plafond est de 8 pi, les grilles de ventilation du conduit supérieur seront visibles une fois installées. Installer le conduit avec les grilles en haut.
 - Pour les hottes à **évacuation et à recirculation**, lorsque le plafond est de 9 pi, les grilles de ventilation du conduit supérieur seront visibles une fois installées. Installer le conduit avec les grilles en haut.

AVEC PLAFONDS DE 10 PI

Les pièces avec plafond de 10 pi nécessitent le modèle de rallonge de conduit FX55SS ou le FXN55SS pour hottes à recirculation, disponibles auprès de votre distributeur local.

10. Ne pas utiliser le conduit supérieur fourni avec le produit. Le remplacer par la rallonge du conduit.
11. Soulever le conduit supérieur jusqu'à ce que ses trous soient alignés avec ceux du support de montage du conduit (situé au plafond). Fig. 17.
12. Fixer le conduit avec (2) vis de montage de 3,9 x 9,5 mm. Fig. 17.



INSTALLATION DES FILTRES

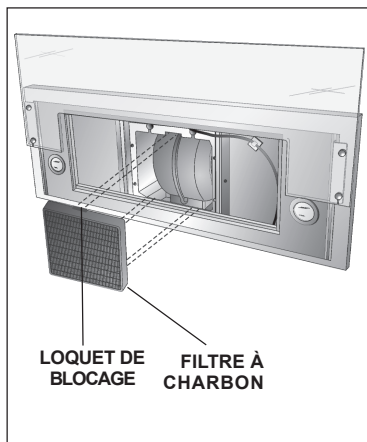
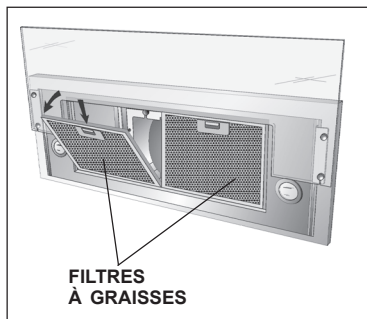
(HOTTES À ÉVACUATION ET À RECIRCULATION)

1. Pour retirer le filtre à GRAISSES, abaisser la languette du taquet et incliner vers le bas.
2. Pour replacer le filtre à GRAISSES, aligner les languettes arrière du filtre avec les fentes de la hotte. Abaisser la languette vers le bas, pousser le filtre pour le remettre en place, puis relâcher. Vérifier que le filtre soit bien placé.

REMARQUE : Avant l'utilisation, retirer le film de protection du cadre du filtre.

(HOTTES À RECIRCULATION SEULEMENT)

1. Pour retirer le filtre à CHARBON, appuyer sur le taquet frontal du filtre. Abaisser le filtre pour dégager ses languettes arrière.
2. Pour installer le filtre à CHARBON, aligner les languettes arrière du filtre avec les fentes de la hotte. Pousser le filtre pour le mettre en place jusqu'à ce que le taquet frontal s'emboîte complètement dans la fente. Vérifier que le filtre soit bien placé.
3. Remettre en place le filtre à GRAISSES après avoir installé le filtre à charbon.



GARANTIE

GARANTIE LIMITÉE D'UN AN DE BROAN-NUTONE LLC

Broan-NuTone LLC garantit à l'acheteur consommateur initial de ses produits qu'ils sont exempts de tout défaut dans les matières premières ou la main-d'oeuvre pour une période d'un an à compter de la date d'achat par le consommateur initial. IL N'Y A PAS D'AUTRE GARANTIE, EXPRIMÉE OU IMPLICITE, INCLUANT, MAIS NON LIMITÉE AUX GARANTIES IMPLICITES POUR FIN DE COMMERCIALISATION ET DE CONVENANCE DANS UN BUT PARTICULIER. Durant cette période d'un an, Broan-NuTone LLC, à sa discrétion, réparera ou remplacera gratuitement, tout produit ou pièce qui s'avère défectueux et qui a été utilisé normalement et d'une manière non abusive. CETTE GARANTIE NE COUVRE PAS LES STARTERS, TUBES FLUORESCENTS, AMPOULES HALOGÈNES OU LAMPES À INCANDESCENCE. Cette garantie ne couvre pas (a) l'entretien et le service normal ou (b) tout produit ou pièce endommagé par suite de mauvais usage, de négligence, d'accident, d'entretien inapproprié ou de réparation (autre que par Broan-NuTone LLC), de mauvaise installation ou d'une installation non conforme. La durée de toute garantie implicite est limitée à une période d'un an tel qu'il est spécifié pour la garantie exprimée. Certains États ou provinces ne permettent pas de limite de temps sur les garanties implicites. Si tel est le cas, veuillez ne pas tenir compte de la dernière limite décrite ci-dessus. L'ENGAGEMENT DE BROAN-NUTONE LLC DE RÉPARER OU DE REMPLACER, AU CHOIX DE BROAN-NUTONE LLC, SERA LA SEULE OBLIGATION EXCLUSIVE SOUS CETTE GARANTIE. BROAN-NUTONE LLC NE SERA PAS TENUE RESPONSABLE DES DOMMAGES DIRECTS, INDIRECTS OU SPÉCIAUX SURVENANT À CAUSE DE OU EN RAPPORT AVEC L'UTILISATION OU LA PERFORMANCE DE SES PRODUITS. Certains États ou provinces ne permettent pas l'exclusion ou la limite relative aux dommages directs, indirects ou spéciaux. Si tel est le cas, veuillez ne pas tenir compte de la dernière limite décrite ci-dessus. Cette garantie vous donne des droits légaux spécifiques et il se peut que vous ayez d'autres droits qui varient d'un État ou d'une province à l'autre. Cette garantie annule toutes les autres garanties précédentes. Pour le service sous garantie, vous devez (a) aviser Broan-NuTone LLC à l'une des adresses indiquées ci-dessous ou par téléphone au 1 800 637-1453, (b) donner le n° du modèle et l'identification de la pièce et (c) décrire la nature de tout défaut dans le produit ou la pièce. Au moment de la demande de service sous garantie, vous devez présenter une preuve de la date d'achat initial dudit produit.

Broan-NuTone LLC, 926 West State Street, Hartford, WI 53027 (1 800 637-1453)

NuTone, Inc., 4820 Red Bank Road, Cincinnati, OH 45227 (1 800 543-8687)

Broan-NuTone Canada, Inc. 1140 Tristar Drive, Mississauga, Ontario L5T 1H9 (1 888 882-7626)

LEA Y CONSERVE ESTAS INSTRUCCIONES

 **INDICADO PARA EL USO EN COCINAS DOMESTICAS** 

  **ADVERTENCIA**

PARA EVITAR EL RIESGO DE INCENDIO, CORTOCIRCUITO O DAÑO PARA LAS PERSONAS, OBSERVE ATENTAMENTE LAS SIGUIENTES NORMAS:

1. Use esta unidad solamente de la manera indicada por el fabricante; si tiene dudas, póngase en contacto con éste a la dirección o teléfono indicados en la garantía.
2. Antes de hacer una revisión o de limpiar la unidad, desconéctela de la red para evitar que se encienda de manera accidental. En el caso de que éste no pueda ser desactivado, se indicará nel panel de servicio.
3. El montaje y la instalación eléctrica debe hacerlos un técnico especializado siguiendo las normas estándar e incluyendo aquellas de construcción anti incendio.
4. Necesita aire suficiente para una apropiada combustión y escape de gases a través del tubo del depósito de quema de combustible. Para evitar que el humo aspirado vuelva a la cocina, siga las directivas del fabricante y las normas estándar de seguridad así como las normas publicadas por la Asociación de prevención de incendios (NFPA) y la Sociedad americana de especialistas en calefacción, refrigeración y aire acondicionado y además las normas de las autoridades locales.
5. Hacer un corte o un taladro en la pared o en el techo no debe dañar la instalación eléctrica u otras instalaciones ocultas en la pared.
6. Los conductos ventiladores deben siempre desalojar al exterior.
7. No use esta unidad con dispositivo de control de la velocidad a estado sólido.
8. Para evitar el riesgo de incendio, use solamente conductos de metal.
9. Esta unidad tiene que ser conectada a tierra.

PARA EVITAR EL RIESGO DE FUEGO POR ALTO NIVEL DE GRASA:

- A. Nunca abandone los quemadores con el fuego alto. La cocción causa humo y restos de grasa que pueden arder. Caliente el aceite a fuego medio o bajo.
- B. Encienda siempre la campana cuando cocine a fuego alto o cuando cocine alimentos fácilmente inflamables. (por ejemplo Crepes Suzette, Cerezas Jubilee, Ternera flambeada con granos de pimienta).
- C. Limpie con frecuencia los ventiladores. No se debe acumular grasa en el ventilador o en el filtro.
- D. Usa el tamaño de cazuela apropiado. Use siempre utensilios de cocina de tamaño y material adecuados.

  **ADVERTENCIA**

PARA EVITAR EL RIESGO DE DAÑOS A PERSONAS EN CASO DE FUEGO POR ALTO NIVEL DE GRASA, TENGA EN CUENTA LO SIGUIENTE:*

1. SOFOQUE LA LLAMA con una tapadera apropiada, una bandeja metálica ó un utensilio de cocina que pueda cubrirla, despues, apague el quemador. ACTÚE CON PRECAUCIÓN PARA EVITAR QUEMADURAS. Si la llama no se extingue inmediatamente, SALGA Y LLAME A LOS BOMBEROS.
2. NUNCA COJA UNA SARTEN EN LLAMAS, porque corre el riesgo de quemarse.
3. NO USE AGUA ni paños o toallas húmidas porque puede provocarse una violenta humareda.
4. Use un extintor SOLAMENTE si:
 - A. Posee un extintor de clase ABC y sabe perfectamente cómo usarlo.
 - B. El fuego es pequeño y está controlado en el mismo sitio en que empezó.
 - C. Ha llamado con anterioridad a los bomberos.
 - D. Puede combatir el fuego retrocediendo hacia la salida.

* Basado en "Seguridad antifuego en la cocina" publicado por NFPA.

ADVERTENCIA

1. Para reducir el riesgo de incendios y para evacuar correctamente los humos, asegurarse de haber realizado una conducción del aire hasta el exterior. No expulsar los humos en espacios cerrados por paredes o techos, áticos, espacios angostos o garajes.
2. Prestar la máxima atención al utilizar productos de limpieza o detergentes.
3. Evitar el uso de productos alimentarios que puedan inflamarse bajo la campana.
4. Sólo para ventilación total. No use gases de escape peligrosos o materiales y vapores explosivos.
5. Para evitar daños en el funcionamiento del motor e impulsores ruidosos y/o desequilibrados, mantenga alejados de la unidad de encendido pulverizadores en seco o polvo.
6. El motor tiene un nivel de sobrecarga térmica que apaga automáticamente el motor cuando se ha recalentado excesivamente. El motor se pone de nuevo en funcionamiento cuando la temperatura baja. Si el motor comienza a encenderse y a apagarse, deberá hacer una revisión de éste.
7. Para limpiar mejor las impurezas al cocinar, la distancia entre la parte inferior de la campana y la zona de cocción debe ser mínimo 24" - máximo 30".
8. Debido a su gran tamaño y peso, se recomienda su montaje por parte de dos técnicos especializados.
9. Este producto está dotado de un termostato que pone en marcha automáticamente el motor. Para reducir el riesgo de daños y evitar que se encienda accidentalmente, colocar el interruptor del panel de servicio en la posición OFF y bloquear el panel de servicio o colocar una advertencia externa como por ejemplo un letrero o una chapita.
10. Se recomienda leer la placa de características del producto para ulterior información.
11. No utilice la tapa de la campana o de vidrio como estante.

FUNCIONAMIENTO

Mandos

La campana se pone en funcionamiento accionando los mandos situados a la altura de los ojos en el frontal de la campana.

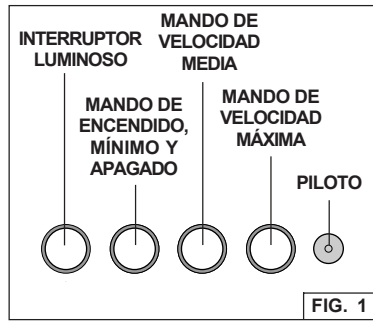
El **interruptor luminoso** enciende y apaga las lámparas halógenas.

El **mando de encendido, apagado y velocidad mínima** del aspirador pone el aspirador a una velocidad mínima. El aspirador se enciende usando este mando. Si quiere apagar el aspirador, tiene que accionar este mando otra vez.

El **mando de velocidad mínima** pone el aspirador a una velocidad media. Este funciona solamente si el aspirador está ya funcionando a velocidad máxima o mínima.

El **mando de velocidad máxima** pone el aspirador a una velocidad máxima. Este mando funciona solamente si el aspirador está funcionando a velocidad media ó mínima.

El **piloto** se enciende cuando está funcionando el aspirador.



HEAT SENTRY^{MR}

Su campana esta equipada con termostato HEAT SENTRY^{MR}. Este termostato tiene un mecanismo que se encenderá o acelerará el ventilador si se detecta un calor excesivo encima de la cocina.

- 1) Si el ventilador esta apagando - el se prenderá a una velocidad máxima.
- 2) Si el ventilador esta encendido a una velocidad minima - el se prenderá a una velocidad máxima.

Cuando la temperatura disminuye a un nivel normal, el ventilador vuelve a la función de origen.

⚠ AVERTENCIA

El HEAT SENTRY^{MR} termostato puede comenzar a funcionar al igual si la campana esta parada. En este caso, es imposible parar el ventilador con los interruptores. Si usted para la campana, halago a partir del panel eléctrico principal.

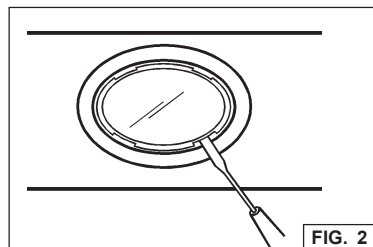
LAMPARAS HALOGENAS

Este tipo de campana necesita dos (2) lámparas halógenas (Tipo T3, 12Volt, 20 Watt Max, G-4 Base).

⚠ **ATENCIÓN:** antes de proceder a cualquier operación, es necesario desconectar el aparato.

Para cambiar las lámparas:

1. Abra la tapa haciendo palanca sobre las hendiduras apropiadas. Fig. 2.
2. Quite la bombilla tirando de los lados. (NO LA GIRE).



⚠ **ATENCIÓN:** las lámparas pueden estar calientes.

3. Sustituir con lámparas del mismo tipo (T3, 12Volt, 20 Watt Max, G-4 Base). No toque la lámpara de repuesto con las manos desnudas.

⚠ **PRECAUCIÓN:** Si utiliza bombillas de más de 20 vatios se abrirá el fusible.

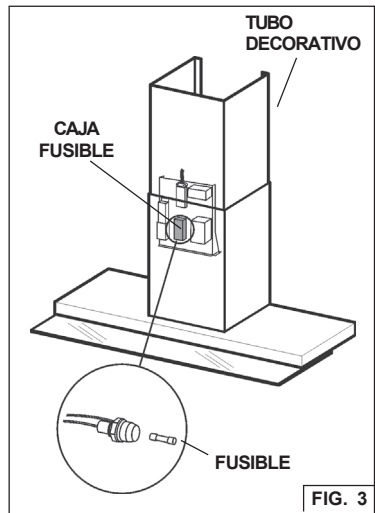
SUSTITUCIÓN DEL FUSIBLE

SI LAS LUCES NO FUNCIONAN, DESCONECTE LA ELECTRICIDAD EN LA ENTRADA DE SERVICIO. COMPRUEBE EL FUSIBLE Y, SI FUESE NECESARIO, SUSITITÚYALO.

1. Retire el tubo decorativo.
2. Retire la cubierta de la caja fusible.
3. Localice el soporte del fusible. Desatornille su tapa y retire el fusible.
4. Sustituya el fusible por otro del mismo tamaño y amperaje (5 x 20 mm, 4 amp., 125 volt).

⚠ PRECAUCIÓN: Si utiliza un fusible de más de 4 A puede dañar el transformador.

5. Vuelva a instalar la tapa del portafusibles, la cubierta de la caja fusible y el tubo decorativo.
6. Vuelva a conectar la electricidad en la entrada de servicio.



MANTENIMIENTO

Un mantenimiento adecuado de la campana asegura el funcionamiento correcto del aparato.

Filtro antigrasa

El **filtro antigrasa** debe limpiarse con frecuencia. Use un detergente que no sea fuerte. Use un detergente que no sea fuerte. El filtro antigrasa se puede meter en el lavavajillas.

Las instrucciones de desmontaje e instalación se encuentran en la sección "INSTALACIÓN DE LOS FILTROS".

Filtro al carbón (configuración sin tubo)

El filtro al carbón debe cambiarse cada seis meses. Las instrucciones de desmontaje e instalación se encuentran en la sección "INSTALACIÓN DE LOS FILTROS".

Limpieza de la campana

El acero inoxidable es uno de los materiales más fáciles de limpiar, pero sería aconsejable un especial cuidado en su uso para mantenerla en buen estado. La campana se puede limpiar de las siguientes maneras:

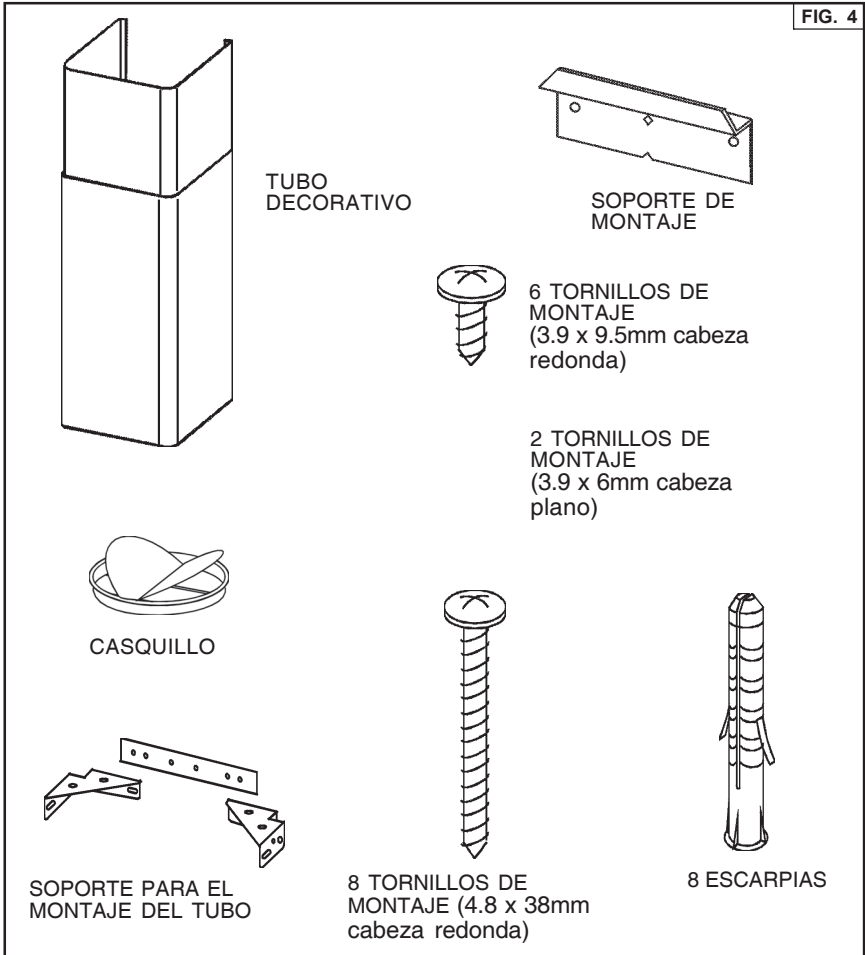
- Agua caliente con jabón o detergente es la mejor manera para limpiarla.
- Aclárela con agua corriente, séquela con un paño suave y limpio para evitar las huellas que deja el agua.
- Para las manchas o restos de grasa que persistan, use un producto químico doméstico que no raye ó un limpiador para acero inoxidable con poca agua y un paño suave.
- Si las manchas persisten, use un estropajo y un cepillo de cerdas suaves con un producto limpiador y agua. Frote suavemente en el sentido del pulido o de las "vetas" del remate del inoxidable. No apriete demasiado porque podría dañar la superficie.
- No deje que las manchas se acumulen durante mucho tiempo.
- No use utensilios o cepillos de acero. Pequeñas partículas de acero pueden adherirse y oxidarse.
- No use soluciones salinas, desinfectantes, lejías, o productos de limpieza que permanezcan en contacto con el acero inoxidable durante largos periodos de tiempo. Muchos de estos productos contienen componentes químicos que podrían

PREPARE LA CAMPANA

Sacar la campana de l'embalaje y controlar el contenido.

Recivireis:

- 1 - Campana
- 1 - Tubo decorativo
- 1 - Bolsita (B080810501) con:
 - 1 - Soporte de montaje
 - 1 - Casquillo
 - 1 - Soporte para el montaje del tubo
 - 8 - Tornillos de montaje (4.8 x 38mm cabeza redonda)
 - 6 - Tornillos de montaje (3.9 x 9.5mm cabeza redonda)
 - 2 - Tornillos de montaje (3.9 x 6mm cabeza plano)
 - 8 - Escarpias
- 1 - Instrucciones para instalación
- 1 - Garantía

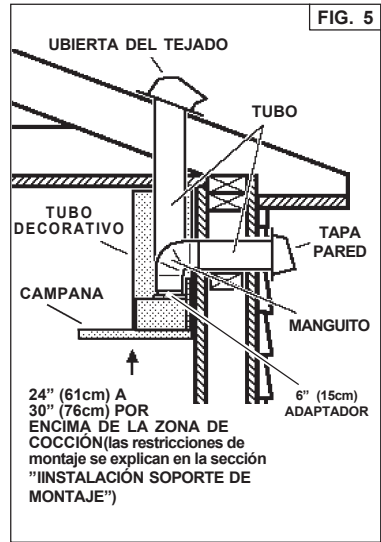


INSTALACION DEL TUBO DE EXTRACCION

SÓLO CAMPANAS CON CONDUCTO

NOTA: para evitar el riesgo de incendio, use solamente material de metal.

1. Decida donde va a colocar el tubo de extracción entre la campana y la parte exterior.
2. Un recorrido de tubo corto y recto permitirá a la campana funcionar de manera más eficaz.
3. Los recorridos largos de tubo, codos y manguitos impiden el buen funcionamiento de la campana. Use el menor número de ellos posible. Para usos prolongados es necesario un tubo de evacuación del aire de mayor diámetro.
4. Instale una cubierta ó una tapa. Una el tubo de metal a la cubierta y retroceda hasta la posición de la campana. Use una cinta para precintar las juntas entre las partes del entubado.



INSTALACION ELECTRICA

CON CONDUCTO Y SIN CONDUCTO

⚠️ ADVERTENCIA: La conexión eléctrica debe realizarla personal cualificado y de acuerdo con todos los códigos y normas aplicables. Esta campana de cocina debe estar adecuadamente conectada a tierra. Desconecte la corriente eléctrica en el punto de entrada de servicio antes de proceder a la conexión del cableado.

INSTRUCCIONES DE CONEXIÓN A TIERRA

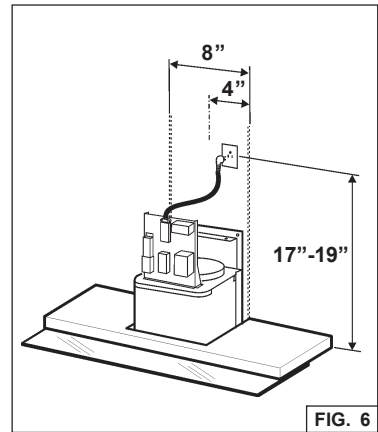
Este aparato se debe conectar a tierra. En caso de cortocircuito, la conexión a tierra reduce el riesgo de electrocución ya que posee un hilo de descarga a tierra para la corriente. Este aparato está equipado con un cable que posee un hilo de toma de tierra con una clavija de tierra. La clavija se debe conectar a un enchufe instalado correctamente y conectado a tierra.

ADVERTENCIA- una conexión a tierra incorrecta puede provocar riesgos de electrocución.

Consulte a un electricista calificado si no se entienden o si existe alguna duda sobre la correcta conexión a tierra.

No utilice un cable de prolongación. Si el cable proporcionado es demasiado corto, póngase en contacto con un electricista calificado para que instale un enchufe cerca del aparato.

1. Decida donde colocará la campana sobre la encimera. En la sección "INSTALACIÓN SOPORTE DE MONTAJE" se explican las opciones de altura



para el montaje de la campana.

2. Conecte 2 hilos más un cable de alimentación de tierra a una caja eléctrica de pared estándar de 2" x 4" y 3 palas, 125 volt, tomacorriente de puesta a tierra de 15 Am. Fig. 6.
3. Monte el tomacorriente de 17" a 19" arriba de la parte inferior de la campana.
4. Coloque el cajetín y la base de enchufe dentro de los límites mostrados y descentrados respecto a los conductos (para permitir una cierta holgura para el enchufe del cable de alimentación y la chimenea).

INSTALACION SOPORTE DE MONTAJE

CON CONDUCTO Y SIN CONDUCTO

1. Construya una **estructura de madera** en la pared que quedará nivelada con la parte interior de los tacos en la pared. Fig.7.

Asegúrese de que:

- a) La estructura se encuentra centrada por encima de la instalación del tubo.
- b) La altura de la estructura permite fijar el **soporte** de montaje en esta estructura siguiendo las dimensiones indicadas.

2. **Una vez acabada la superficie de la pared**, fije la brida de soporte al marco con dos tornillos de montaje de 4.8 x 38 mm. Determine en la tabla siguiente la posición del soporte de montaje.

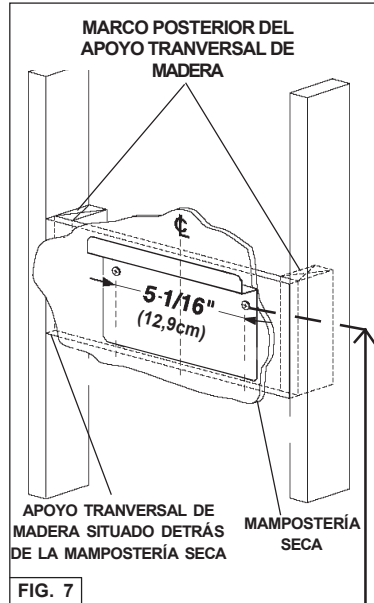


FIG. 7

ALTURA DEL TECHO	DISTANCIA DE LA CAMPANA POR ENCIMA DE 36" SOBRE LA SUPERFICIE DE LA COCINA (VÉASE LA NOTA a)						
	24"	25"	26"	27"	28"	29"	30"
	UBICACIÓN DEL SOPORTE DE MONTAJE POR ENCIMA DE 36" SOBRE LA SUPERFICIE DE LA COCINA						
8-FOOT	37-1/8"	38-1/8"	39-1/8"	40-1/8"	41-1/8"	42-1/8"	43-1/8"
9-FOOT				40-1/8"	41-1/8"	42-1/8"	43-1/8"
10- FOOT (véase la nota b)		38-1/8"	39-1/8"	40-1/8"	41-1/8"	42-1/8"	43-1/8"

Notas:

- a. La distancia mínima de la campana por encima de la encimera debe ser de 24" como mínimo.

Para capturar óptimamente las impurezas de cocción, se recomienda una altura máxima de 30" sobre la encimera.

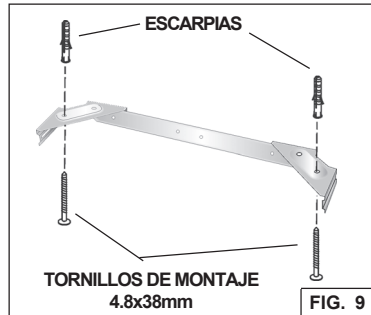
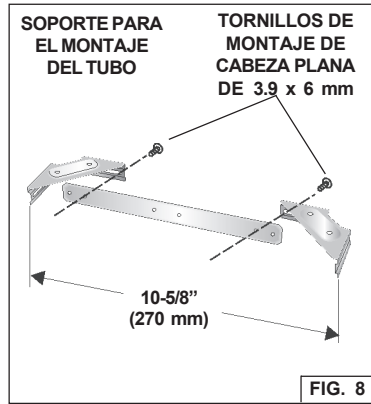
Las distancias superiores a 30" por encima de la encimera serán determinados según la entera discreción del instalador y del usuario, siempre que la altura del techo y la longitud del conducto lo permitan.

- b. Precisa una extensión de chimenea adicional de 10', tanto el modelo con conducto, FX55SS, como sin conducto, FXN55SS.

INSTALACIÓN DEL SOPORTE PARA EL MONTAJE DEL TUBO

CON CONDUCTO Y SIN CONDUCTO

1. Ensamble el soporte para el montaje del tubo, ajustando el ancho exterior tal como se muestra. Fig. 8
2. Centre **cuidadosamente** el soporte para el montaje del tubo directamente sobre la ubicación de la campana de la cocina.
3. Asegure el soporte al techo utilizando (2) tornillos de montaje de 4.8 x 38 mm y escarpías (Fig. 9). Asegúrese de que el soporte está apretado contra el muro contiguo y centrado sobre la campana.

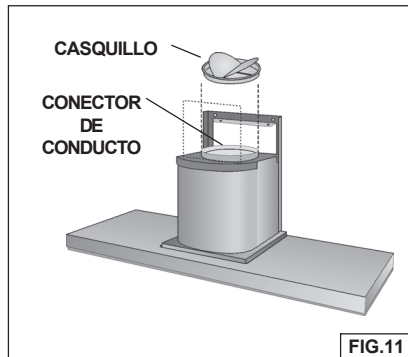
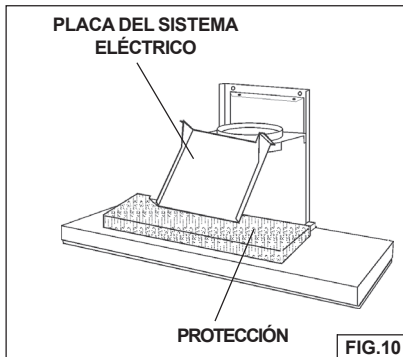


PREPARACIÓN DE LA CAMPANA

Nota: En campanas de acero inoxidable, antes de llevar a cabo la instalación final, retire cuidadosamente la película protectora de plástico de todas las superficies exteriores de la campana y del tubo decorativo.

CONFIGURACIÓN CON CONDUCTO

1. Quitar la cinta adhesiva de la placa del sistema eléctrico; coloque la placa del sistema eléctrico sobre la campana (utilizar una protección) Fig. 10.
2. Instale el casquillo en el conector de conducto de la campana de cocina. Fig.11.

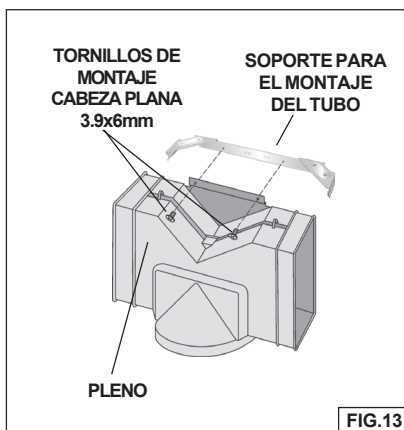
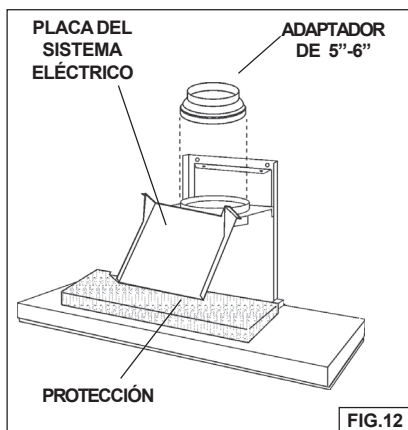


PREPARACIÓN DE LA CAMPANA

CONFIGURACIÓN SIN CONDUCTO

Nota: Los siguientes materiales deben comprarse por separado para instalaciones de recirculación sin conducto.

- Equipo de recirculación sin conducto, modelo RK55.
 - Conducto de 5" de diámetro.
1. Retire la cinta de la placa del sistema eléctrico y coloque la placa en la campana (use una protección). Fig. 12.
 2. Deje a un lado el casquillo de descarga/valvula suministrados con la campana. Instale el adaptador de 5" a 6" (suministrado con el equipo de recirculación sin conducto).
 3. Asegure el pleno al soporte para el montaje del tubo con (2) tornillos de montaje cabeza plana 3.9x6mm (los tornillos se encuentran con el equipo de recirculación sin conducto). Fig. 13.

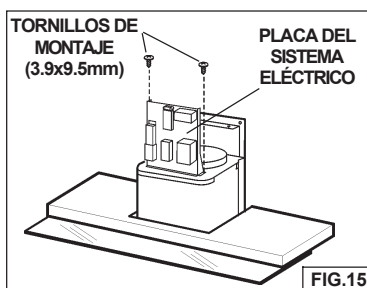
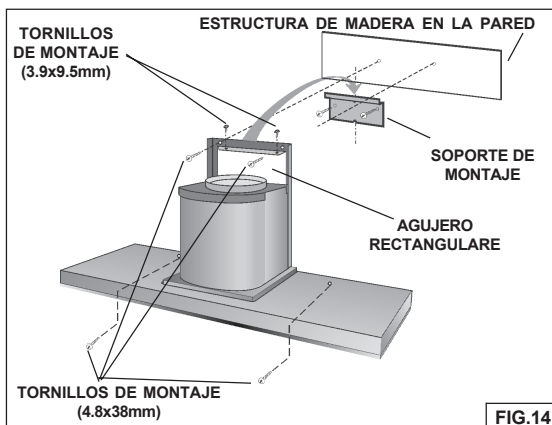


INSTALACIÓN DE LA CAMPANA

CON CONDUCTO Y SIN CONDUCTO

Nota: se necesitan al menos dos personas para montar la campana.

1. Levante la campana en su posición de montaje.
2. Alinee la abertura rectangular de la parte posterior de la campana con el soporte de montaje de la pared. Baje suavemente la campana hasta que encaje correctamente en el soporte. Fig. 14.
3. Nivele la campana con dos tornillos de montaje de 3.9 x 9.5 mm y fíjela con cuatro tornillos de montaje de 4.8 x 38 mm. Si no dispone de tachones de pared ni de marcos, utilice los soportes de muro de mampostería sin mortero suministrados. Fig. 14.
4. Montar la placa del sistema eléctrico fijándola mediante 3 tornillos de montaje (3.9x9.5mm) - Fig. 15.
5. En **campanas con conducto**, fije un conducto metálico redondo de 6" entre el collarín del ventilador de la campana y el conducto de evacuación al exterior.
6. En **campanas sin conducto**, coloque un conducto metálico expansible de 5" entre el adaptador de 5 a 6" y el conector de la campana en el pleno.
7. Encinte todas las uniones de los conductos para fijarlos y estanqueizarlos.
8. Conecte el cable de alimentación al receptáculo eléctrico de la pared. Coloque el cable restante detrás del tubo decorativo.



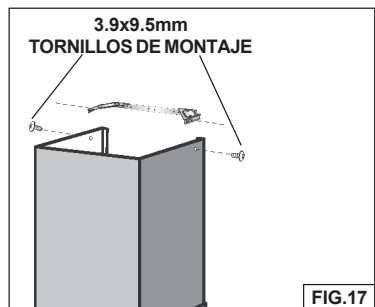
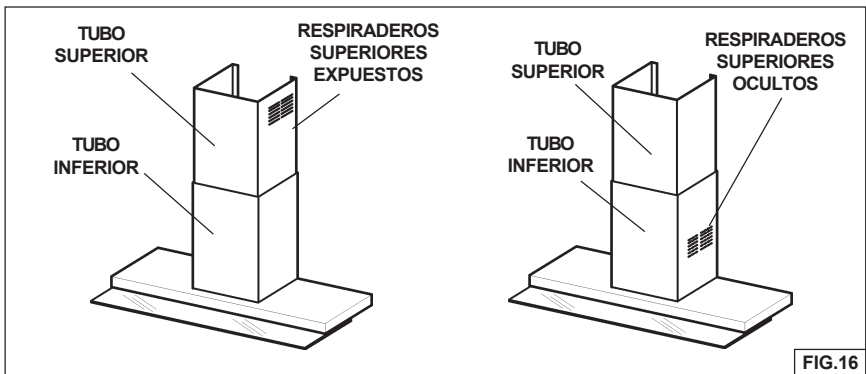
INSTALACIÓN DE LA CAMPANA, (cont)

9. Coloque con cuidado la chimenea decorativa sobre la campana. Fig. 16.
 - En instalaciones **con conducto** en salas con **techos de 8 pies**, los respiraderos están ocultos. Monte el tubo con los respiraderos hacia abajo.
 - En instalaciones **sin conducto** en salas con **techos de 8 pies**, los respiraderos están expuestos. Monte el tubo con los respiraderos hacia arriba.
 - En instalaciones **sin conducto** en salas con **techos de 8 pies**, los respiraderos están expuestos. Monte el tubo con los respiraderos hacia arriba.

SALAS CON TECHOS DE 10 PIES

Las salas con techos de 10 pies precisan la extensión del tubo modelo FX55SS o modelo sin conducto FXN55SS, disponibles en su distribuidor local.

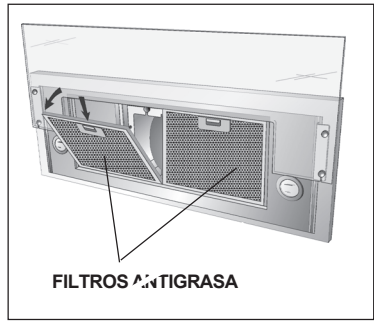
10. Deseche el tubo superior suministrado con el producto. Sustitúyalo por la extensión del tubo.
11. Levante el tubo superior hasta que sus orificios queden alineados con el soporte para el montaje del tubo (situado en el techo). Fig. 17.
12. Fije el tubo con dos tornillos de montaje de 3.9 x 9.5 mm. Fig. 17.



INSTALACIÓN DE FILTROS

(CONFIGURACIÓN CON CONDUCTO Y SIN CONDUCTO)

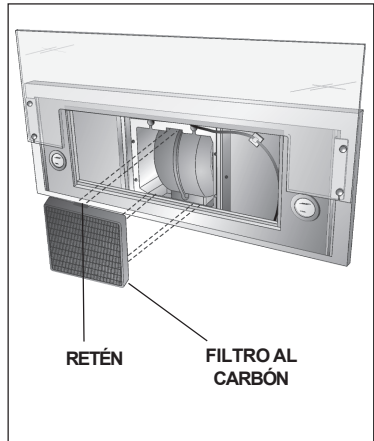
1. Para quitar el filtro de GRASA, agarre con fuerza la lengüeta del seguro y tire de ella.
2. Para instalar el filtro de GRASA, alinee las lengüetas posteriores del filtro con las ranuras de la campana. Tire de la lengüeta del seguro hacia abajo, coloque el filtro en su posición y suéltelo. Asegúrese de que el filtro encaja correctamente después de montarlo.



NOTA: Antes del funcionamiento, retire la película protectora del filtro antigrasa.

(CONFIGURACIÓN SIN CONDUCTO)

1. Para quitar el filtro de CARBÓN, empuje la lengüeta delantera del filtro. Tire del filtro para desconectarlo de las lengüetas posteriores.
2. Para instalar el filtro de CARBÓN, alinee las lengüetas posteriores del filtro con las ranuras de la campana. Empujando, coloque el filtro en su lugar hasta que el seguro delantero encaje correctamente en su ranura. Asegúrese de que el filtro encaja correctamente después de montarlo.
3. Instale el filtro de GRASA después de instalar el filtro de carbón.



GARANTIA

GARANTIA BROAN-NUTONE LLC POR UN AÑO

Broan-NuTone LLC garantiza al consumidor-comprador de sus productos que dichos productos no tendrán defectos en los materiales o fabricación, durante un periodo de un año a partir de la fecha de la compra. NO HAY OTRO TIPO DE GARANTIAS QUE INCLUYAN O SE LIMITEN EXCLUSIVAMENTE A GARANTIAS IMPLÍCITAS O DE CAPACIDAD COMERCIAL O CONVENIENCIA PARA UN PROPOSITO ESPECIFICO.

Durante el periodo de un año, Broan-NuTone LLC, si lo estima conveniente, reparará o reemplazará sin gastos para el usuario cualquier producto o parte de éste que sea defectuosos habiéndose usado correctamente. ESTA GARANTIA NO CUBRE: ESTARTER DE NEON, NEON, LÁMPARAS HALÓGENAS, LÁMPARAS DE ILUMINACIÓN. Tampoco cubre el mantenimiento ni los productos o partes de éstos que hayan sido usados de forma incorrecta, con negligencia, rotos accidentalmente o por una incorrecta manutención ó reparación (distinta da la realizada por Broan-NuTone LLC), montaje incorrecto ó instalación que no se ajuste a las instrucciones de montaje indicadas. Le duración de la garantía se limita al periodo de un año como está especificado en la garantía explicita. Algunos países no permiten un límite en la duración de la garantía implícita; si es así en su caso, esta limitación arriba indicada podría no aplicarse. LA PRESENTE GARANTIA CUBRIRA EXCLUSIVAMENTE AL COMPRADOR LOS SERVICIOS DESCRITOS ANTERIORMENTE. BROAN-NUTONE LLC NO SE HACE RESPONSABLE DE DAÑOS PRODUCIDOS DE MANERA ACCIDENTAL O RELACIONADOS CON EL USO INCORRECTO DEL PRODUCTO O SU FUNCIONAMIENTO. Algunos países no permiten la exclusión o limitación de los daños producidos de manera accidental, si es así en su caso, esta limitación arriba indicada podría no aplicarse. Esta garantía le da derechos legales específicos y podría también disponer de otros derechos que varían de país a país. Esta garantía supera otras garantías dadas con anterioridad. Para disfrutar de la garantía usted deberá a) Avisar a la dirección abajo indicada ó bien llamar por teléfono al número 1-800-637-1453 b) Dar el número de serie del modelo correspondiente o bien una descripción de la parte averiada, c) Descripción del defecto en el producto o bien en una de sus partes. Para requerir un servicio en garantía debe presentar el justificante con la fecha de la compra.

Broan-NuTone LLC, 926 West State Street, Hartford, WI 53027 (1-800-637-1453)

NuTone Inc., 4820 Red Bank Road, Cincinnati, OH 45227 (1-800-543-8687)

Broan-NuTone Canada Inc. 1140 Tristar Drive, Mississauga, Ontario L5T 1H9 (1-888-882-7626)

SERVICE PARTS

MODEL E55000

KEY NO.	PART NO.	DESCRIPTION
7	BE3346761	Filter Support
9	B08087092	Grease Filter
14	B02300233	Motor Capacitor
16	BE3346354	Electrical Box Support
19	B03295005	Transformer Protection
26	B02300891	Halogen Lamp Bulb
37	B02300804	Heat Sentry
45	BW0000019	Blower
48	B02310203	Motor
49	B03295076	Blower Wheel
53	B03202007	Rubber Washer
60	B02300249	Feeder Cable
62	B08091462	Blower Mounting Cover
76	B02005121	Glass
86	B08088378	Discharge Collar
92	BE3348916	Switch Mounting Bracket
113	B02011314	Nameplate
118	BE3348941	Decorative Flue Bottom
119	BE3346765	Decorative FlueTop
120	B08091367	Flue Mounting Bracket
145	B032920170	Feeder cable connection Box
146	B032920180	Feeder Cable Connection Box Cover
147	BR2300132	Junction Clamp
151	B032920200	Electrical Box Wires Stop
165	B03295008	Control Board Box
166	B08086668	Control Board
208	B02300783	Transformer
223	B03200351	Switch Button
228	B08086286	Controls Board
229	B03201014	Warning lamp
230	B03292303	Switch Board Box Cover
234	B03292302	Control Board Box
240	B03292301	Switch Support
252	B03294836	Limit Switch Box
253	B02300620	Limit Switch
254	B03294837	Limit Switch Box Cover
274	B03295035	Fuse Box
332	B03295009	Cover
367	B02011210	Glass Handle
407	BE3344985	Blower Support Bracket
474	B02300798	Halogen Lamp Housing
477	B03295006	Transformer Protection Cover
998	B080810501	Hardware Package
SGD	B08091764	Glass Slide
*	B06002013	Blower Assembly (Includes Key Nos. 45, 48, 49, 53)
*	B06108719	Switch Assembly (Includes Key Nos. 253, 14, 165, 228, 230, 234, 252, 254)
-	B03300488	Non-ducted recirculation filter
-	B08999660	Non-ducted recirculation KIT
-	B02300782	Fuse
-	B02300674	Fuse holder

* Not shown assembled.

LISTE PIECES DE RECHANGE

MODELE E55000

N.	PART N.	DESCRIPTION
7	BE3346761	Support filtre
9	B08087092	Filtre anti-graisse
14	B02300233	Condensateur
16	BE3346354	Support boîte installation électrique
19	B03295005	Protection transformateur
26	B02300891	Lampe halogène
37	B02300804	Capteur
45	BW0000019	Convoyer
48	B02310203	Moteur
49	B03295076	Turbine du moteur
53	B03202007	Pare chocs
60	B02300249	Cable alimentation
62	B08091462	Support moteur
76	B02005121	Verre
86	B08088378	Collier d'évacuation
92	BE3348916	Etriers commandes
113	B02011314	Plaquette logo
118	BE3348941	Conduit décoratif inférieur
119	BE3346765	Conduit décoratif supérieur
120	B08091367	Etrier montage tube
145	B032920170	Boîte cable alimentation
146	B032920180	Couvercle boîte cable alimentation
147	BR2300132	Borne
151	B032920200	Serre cable
165	B03295008	Boîte installation électrique
166	B08086668	Circuit imprimé installation électrique
208	B02300783	Transformateur
223	B03200351	Bouton
228	B08086286	Circuite commandes
229	B03201014	Lampe témoin
230	B03292303	Couvercle boîte commandes
234	B03292302	Boîte commandes
240	B03292301	Support bouton
252	B03294836	Boîte de interrupteur de fin de course
253	B02300620	Interrupteur de fin de course
254	B03294837	Couvercle boîte de interrupteur de fin de course
274	B03295035	Boîte fusible
332	B03295009	Bouchon
367	B02011210	Poignée verre
407	BE3344985	Etrier support convoyer
474	B02300798	Boîte lampe halogène
477	B03295006	Couvercle protection transformateur
998	B080810501	Accessoires de fixation
SGD	B08091764	Glissière de verre
*	B06002013	Ensemble moteur (Comprenant n. 45, 48, 49, 53)
*	B06108719	Ensemble commandes (Comprenant n.253, 14, 165, 228, 230, 234, 252, 254)
-	B03300488	Filtre à charbon
-	B08999660	Kit version non carénées
-	B02300782	Fusible
-	B02300674	Porte-fusible

* Illustrées separement.

LISTA DE PIEZAS DE RECAMBIO

MODELO E55000

CÓD. N.	PIEZA N.	DESCRIPCIÓN
7	BE3346761	Soporte filtro
9	B08087092	Filtro antigrasa
14	B02300233	Condensador
16	BE3346354	Soporte de la caja de instalación eléctrica
19	B03295005	Protección transformador
26	B02300891	Lámpara halógena
37	B02300804	Sensor
45	BW0000019	Convoyador
48	B02310203	Motor
49	B03295076	Manilla del motor
53	B03202007	Almohadilla antivibraciones
60	B02300249	Cabos
62	B08091462	Soporte motor
76	B02005121	Vidrio
86	B08088378	Casquillo
92	BE3348916	Soporte de montaje de los mandos
113	B02011314	Placa marca
118	BE3348941	Tubo decorativo inferior
119	BE3346765	Tubo decorativo superior
120	B08091367	Soporte de montaje del tubo
145	B032920170	Caja cabos alimentación
146	B032920180	Tapa de la caja cabos alimentación
147	BR2300132	Terminal
151	B032920200	Sujeta cabos
165	B03295008	Caja de instalación eléctrica
166	B08086668	Base para instalación eléctrica
208	B02300783	Transformador
223	B03200351	Mando
228	B08086286	Base de los mandos
229	B03201014	Piloto
230	B03292303	Tapa de la caja mandos
234	B03292302	Caja de los mandos
240	B03292301	Soporte mando
252	B03294836	Caja del interruptor limitador
253	B02300620	Interruptor limitador
254	B03294837	Cubierta de la caja del interruptor limitador
274	B03295035	Caja fusible
332	B03295009	Tapa
367	B02011210	Manija vidrio
407	BE3344985	Soporte convoyador
474	B02300798	Caja de la lámpara halógena
477	B03295006	Tapa protección transformador
998	B080810501	Accesorios para el montaje
SGD	B08091764	Deslizador vidrio
*	B06002013	Conjunto motor (Incluye los N. 45, 48, 49, 53)
*	B06108719	Conjunto mandos (Incluye los N. 253, 14, 165, 228, 230, 234, 252, 254)
-	B03300488	Filtro configuración sin tubo
-	B08999660	Equipo configuración sin tubo
-	B02300782	Fusible
-	B02300674	Portafusible

* Se encuentran por separado.

SERVICE PARTS - LISTE PIECES DE RECHANGE - LISTA DE PIEZAS DE RECAMBIO

MODEL E55000

